



PRO-SERIES ADJUSTABLE SECONDARY THROTTLE LINKAGE KIT PART NO. 20-122

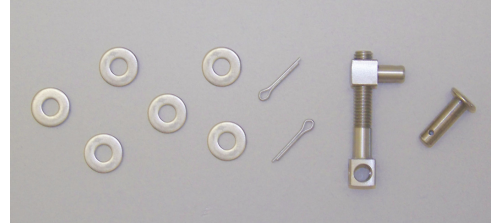
20-122 Linkage Kit is designed to work with most popular Holley progressive "slip-type" secondary throttle linkage used on 390-850 high performance carburetors. This kit replaces the 43R601 slip wire link and enables you to choose 1:1 or progressive ratio.

CONTENTS INCLUDED:

- (1) Threaded link
- (1) Adjustable Clevis
- (1) Clevis Pin
- (2) .020 thick washers
- (2) .030 thick washers
- (2) .040 thick washers
- (2) Cotter pins

TOOLS NEEDED:

- File
- Micrometer/Measuring Tool
- #17 Drill bit (.173")



INSTALLATION INSTRUCTIONS – PLEASE READ CAREFULLY

1. If you want to use the 1:1 ratio, you will have to enlarge the hole (using a #17 drill bit) in the primary throttle arm to .173 (see Figure 1).
2. The hump on the top of the primary throttle shaft needs to be machined off for adequate clearance at wide-open throttle (see Figure 2).

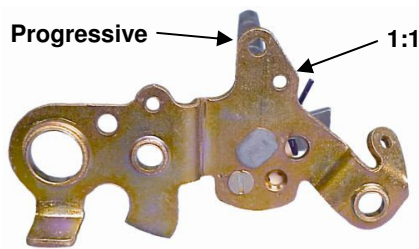


Figure 1



Figure 2

NOTE: The secondary link can be installed on the outside or inside of the throttle arms. We suggest outside for progressive and inside for 1:1.

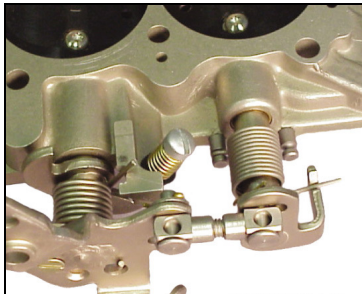


Figure 3

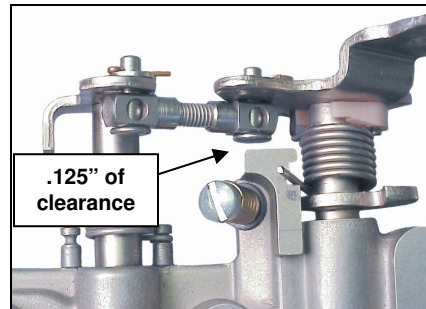


Figure 4

The adjustable link is designed to work installed on either the inside or outside of the throttle levers as shown in (figure 3 and 4.)

NOTE: For inside installation only: Make sure you have at least .125" between the head of the Clevis pin and the boss on the baseplate (where the idle adjustment screw is located). If you need more clearance, file or machine this area off of the baseplate (see Figure 4).

1. Assemble the adjustable link and install the adjustable clevis side on the primary throttle arm into the proper hole. (See Figure 1)
2. Use a .020" thick washer on both sides of the primary throttle lever and secure with a cotter pin. Do not spread the cotter pin at this time.
3. Use the clevis pin and attach the other end of the link to the secondary throttle lever. Do not use any washer at this time.
4. Visually check the alignment and select the proper thickness washer to achieve the best alignment.
5. Install the correct thickness washer on both sides of the secondary lever and secure with a cotter pin.
6. After the link is installed, open the throttle and adjust the link to wide-open throttle
7. Secure the cotter pins by bending the legs outward.

CAUTION: Make sure the throttle rod from the pedal or firewall does not interfere with the secondary link.