

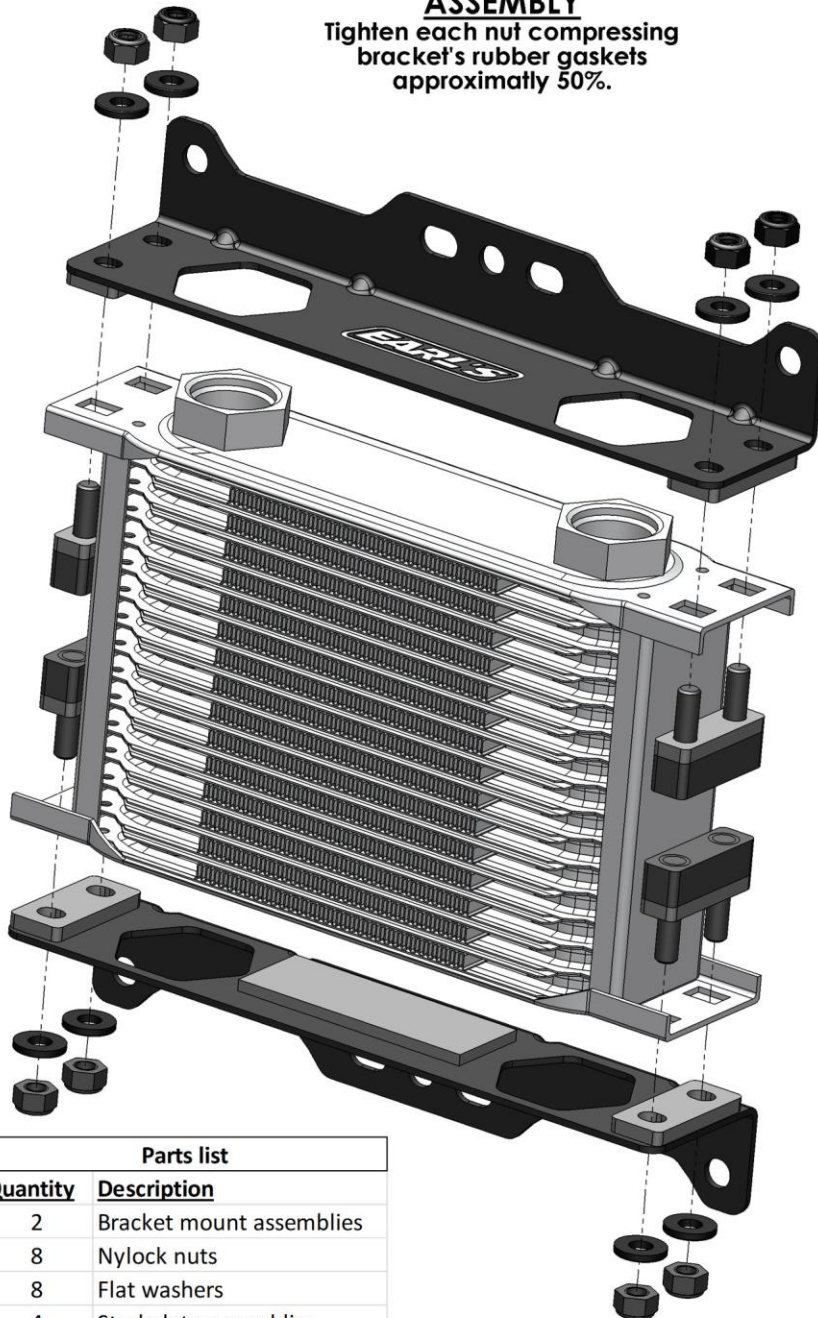


## COOLER MOUNTING BRACKETS

P/N 1302ERL (narrow coolers), 1404ERL (wide coolers), & 1508ERL (extra wide coolers)

### ASSEMBLY

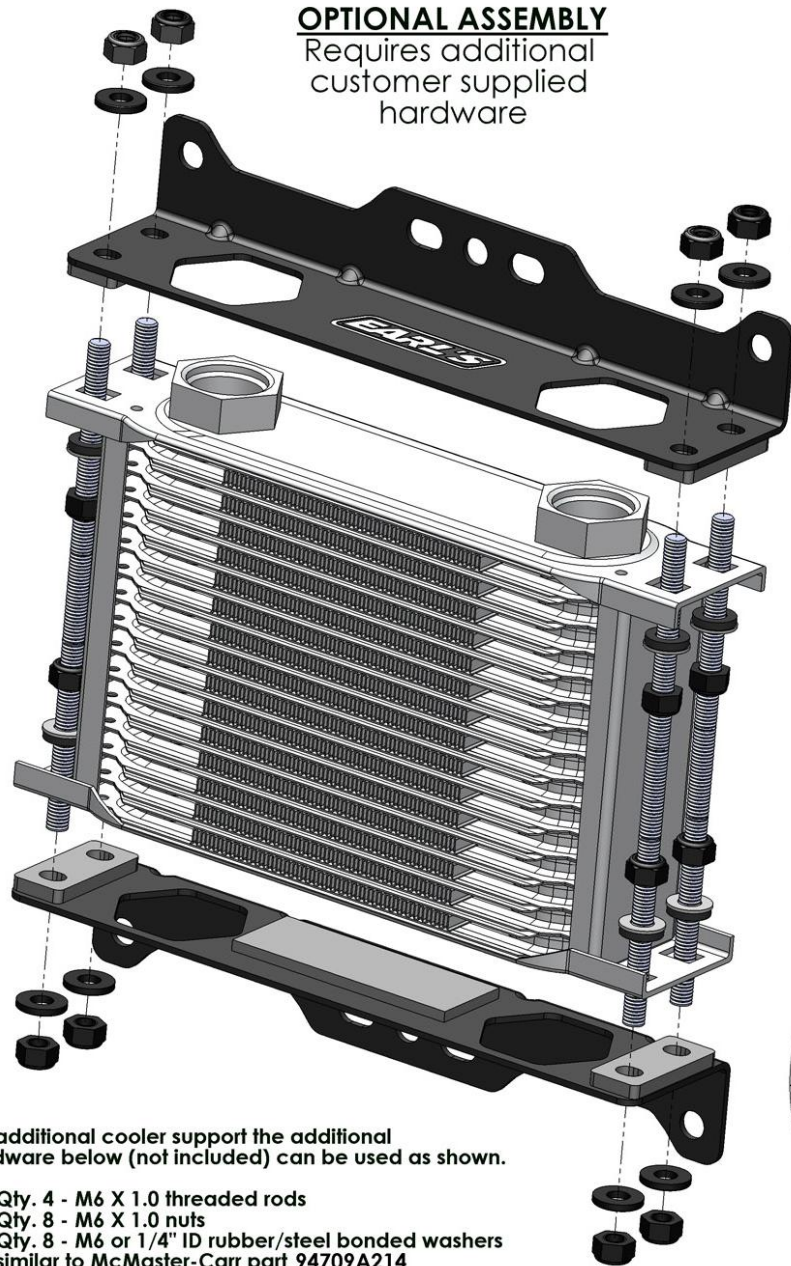
Tighten each nut compressing bracket's rubber gaskets approximately 50%.



Parts list	
Quantity	Description
2	Bracket mount assemblies
8	Nylock nuts
8	Flat washers
4	Stud plate assemblies

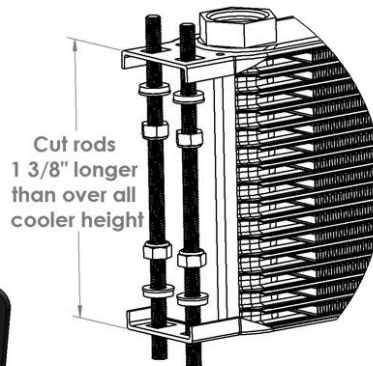
### **OPTIONAL ASSEMBLY**

Requires additional customer supplied hardware

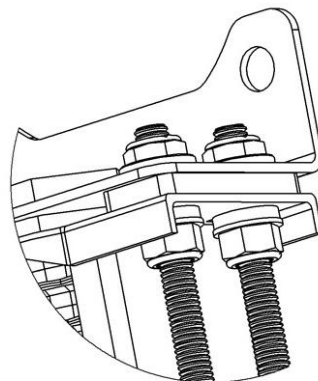
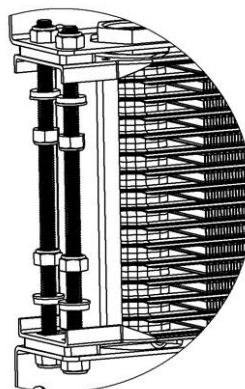


For additional cooler support the additional hardware below (not included) can be used as shown.

- Qty. 4 - M6 X 1.0 threaded rods
- Qty. 8 - M6 X 1.0 nuts
- Qty. 8 - M6 or 1/4" ID rubber/steel bonded washers similar to McMaster-Carr part 94709A214



**STEP 1 -** Preassemble customer supplied hardware as shown.



**Earl's Technical Support:  
1-270-781-9741**