



DURA-LIFT ELECTRIC FUEL PUMP

P/N 12-430 HOLLEY 33 GPH PUMP

INSTALLATION INSTRUCTIONS – 199R10797

The Holley® Electric Fuel Pump is designed to replace the original equipment fuel pump on carburetor-equipped cars, trucks, agricultural equipment, marine pleasure craft, and generators. The solid-state design provides greater reliability, longer life, easy installation, freedom from hot weather vapor lock, and faster engine starting in cold weather. When properly installed, your fuel pump will provide a consistent, steady fuel supply to keep your vehicle running smoothly for many years to come even under severe driving conditions.

REQUIRED ITEMS:

- Pump must be properly fused with a 3- to 5-Amp automotive-type fuse.

SUGGESTED TOOLS:

- Electric Drill & 7/32" Bit
- Tube Cutter
- Hose Clamp Pliers
- Locking Pliers
- 7/16" Wrench & Fuel Line Plugs
- Hose Clamps
- Wiring Connectors
- Wire
- 5/16" Flex-Hose

PREPARATION:

CAUTION! An (ABC) fire extinguisher needs to be within reach during installation.

1. Disconnect the vehicle battery, relieve the fuel line pressure, and then disconnect the fuel line.
2. Select the mounting area where the temperature won't exceed 180°F (82°C).
3. Ensure that the fuel pump electrical requirements match those of the vehicle's electrical system.

OPTIONAL:

1. Install an OIL PRESSURE SAFETY SWITCH during the installation of this fuel pump.
2. Connect the Red power lead to the "P" contact. This stops the pump operation if the engine stops and the ignition switch is ON (**Figure 1**).

INSTALLATION:

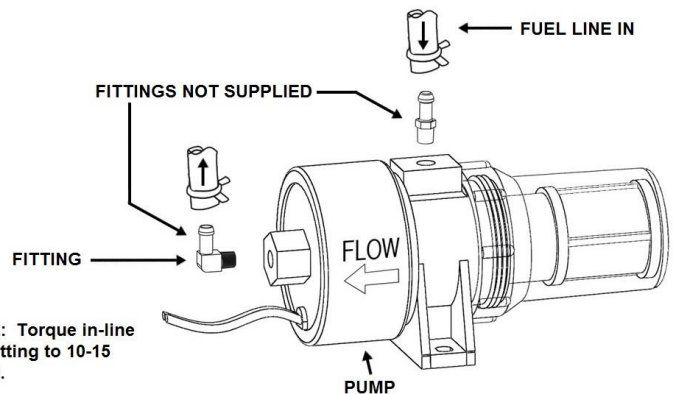
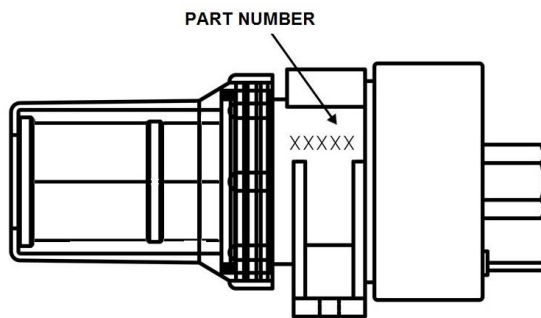
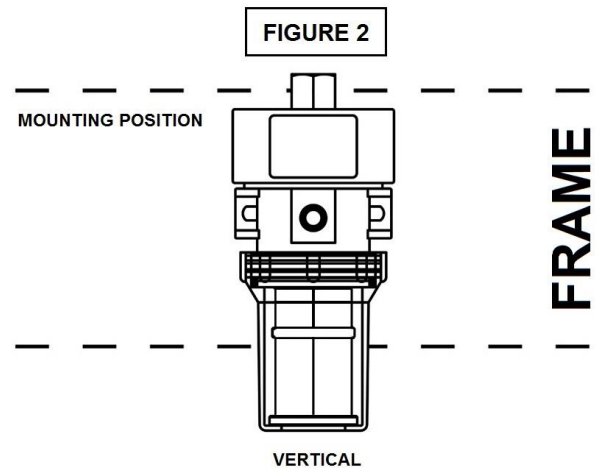
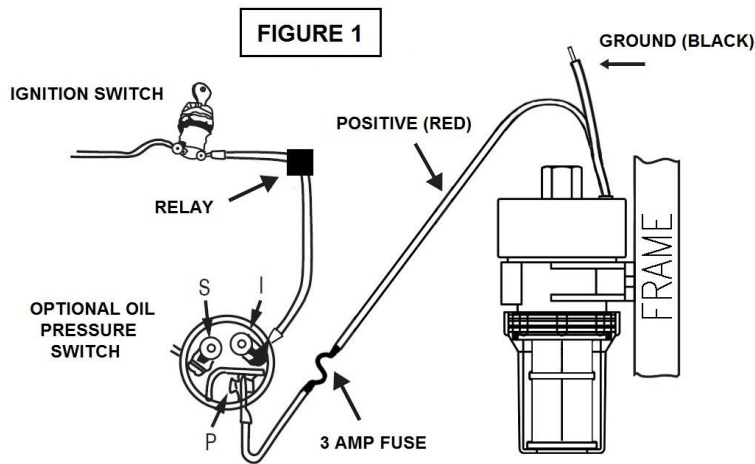
NEGATIVE GROUND SYSTEM ONLY:

1. Select a mounting location:
 - A clean section of the frame away from an area susceptible to road hazard damage or exhaust systems.
 - Must be within 60-120 vertical inches from the fuel tank (bottom).
2. Position the pump in an upward direction. Mark and drill (2) 7/32" holes into the frame aligned to the mounting bracket (**Figure 2**).

- Place the pump over the holes and start the first 1/4" self-tap screw into the frame. Start the second screw capturing the black (negative) lead into the other hole. Tighten both screws.

NOTE: Some installations may require fastening the bracket to threaded studs with 1/4" nuts.

- Reconnect the fuel line and clean up any spilled fuel.
- Connect the RED (positive) power lead to the OPTIONAL OIL PRESSURE SAFETY SWITCH or TO A RELAY CONTROLLED BY IGNITION. If this pressure switch is not available, connect to the ignition switch voltage supply terminal.
- Reconnect the battery terminals.
- Turn ignition switch to ON and start the engine. Confirm the pump is operating by hearing a vibrating sound from it. Ensure there are no leaks in the fuel system.



NOTE: Torque in-line fuel fitting to 10-15 ft./lbs.

Holley® Performance Products
1801 Russellville Road
Bowling Green, KY 42101

1-270-781-9741
1-866-464-6553
www.holley.com

199R10797
Date: 8-10-16