



EARL'S BILLET FUEL PRESSURE REGULATOR P/N 12865ERL Installation Instructions 199R11111

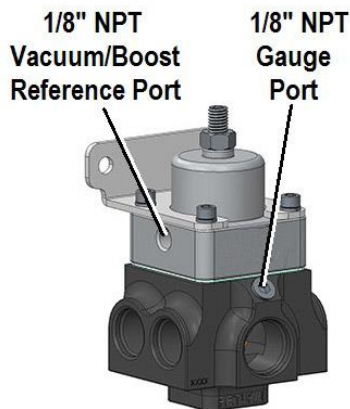
WARNING! These instructions must be read and fully understood before beginning the installation. Failure to follow these instructions may result in poor performance, vehicle damage, personal injury, or death. If these instructions are not fully understood, installation should not be attempted.

APPLICATIONS:

P/N	DESCRIPTION	PRESSURE RANGE	INLET/OUTLET SIZE	RETURN SIZE
12865ERL	4 Port Carbureted Billet FP Regulator, Adjustable, Return Style	4.5 to 9 PSI	(1) 10 AN & (4) 8AN O-ring	10AN O-ring

INTRODUCTION:

Congratulations on your purchase of the Earl's 4 Port Regulator! Holley Performance Products cannot and will not be responsible for any alleged or actual engine or other damage, or other conditions resulting from misapplication of the parts described herein. However, it is our intent to provide the best possible products for our customer; products that perform properly and satisfy your expectations. Should you have any questions, please call Tech Support at 1-866-464-6553, M-F, 8-6 CST & Sat. 9-3 CST. Please have the part number on hand of the product when you call.



12865ERL
Figure 1

INSTALLATION:

1. Determine how you will mount the regulator between the carburetors. Then, using the bracket supplied with the regulator, position the regulator as close to the carburetor or fuel rails as possible, taking care to minimize the exposure to heat sources. **DO NOT** mount the regulator on the exhaust manifold or any extremely hot surfaces.
2. The above return style regulator has one 10AN O-ring in/out port, four 8AN O-ring in/out ports, one 10AN O-ring return port, and one 1/8" NPT boost reference port.
3. Connect the fuel line from the outlet of the pump to the inlet of the post fuel filter and then from the fuel filter to the regulator (**Figure 2**). All fuel line connections must be leakproof.
4. Connect the outlets of the regulator to the carburetors.

NOTE: If regulator is equipped with the vacuum/boost reference port connection on the top, this can be connected to full manifold vacuum to slightly decrease fuel pressure at idle and cruise. This is a requirement on forced induction engines, so that the differential fuel pressure stays constant under boost. A -4AN fitting is supplied if being used in a boosted application.

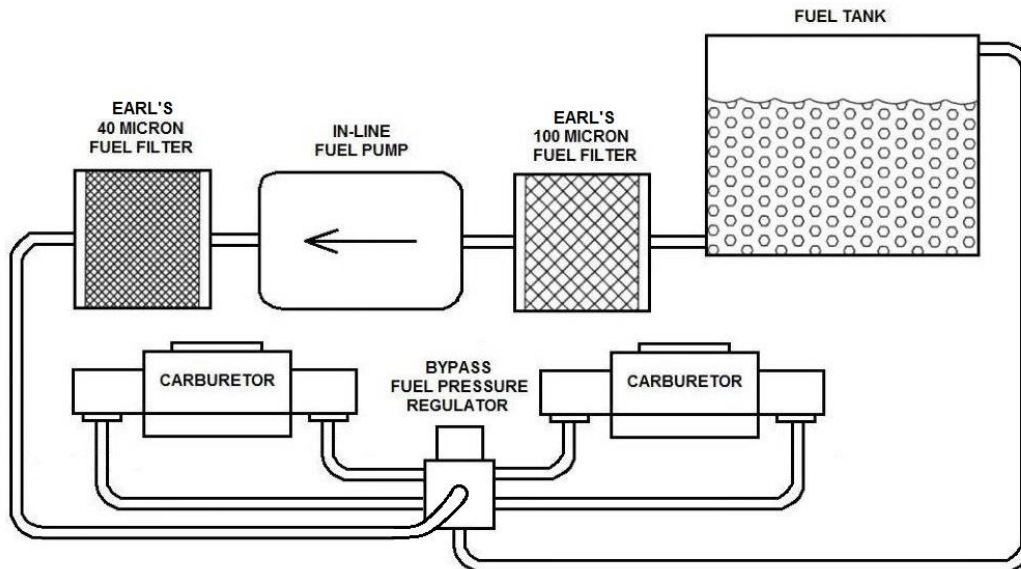


Figure 2 (Carburetor)

- The regulator comes from Earl's with the regulator pressure preset to approximately 7PSI. However, for individual requirements, it may be readjusted. Loosening the regulator locknut and turning the adjustment screw clockwise increases the pressure. Decrease pressure by turning the adjustment screw counter-clockwise. Use a fuel pressure gauge to monitor changes.

WARNING! ALWAYS USE A FUEL PRESSURE GAUGE BETWEEN THE REGULATOR AND THE CARBURETOR(S) WHEN ADJUSTING THE FUEL PRESSURE REGULATOR.

NOTE: If using a carburetor, any change made in fuel pressure will change the fuel bowl float level. A readjustment in fuel bowl levels will be required for proper and safe operation of the carburetor.

SERVICE PARTS AND ACCESSORIES:

ITEM	PART NUMBER
175 GPH Billet Fuel Filter 40 Micron (-8AN)	230618ERL
175 GPH Billet Fuel Filter 100 Micron (-8AN)	230628ERL
0-15 PSI Fuel Pressure Gauge (non-liquid filled) 1-1/2" Dia. 1/8" NPT	100195ERL
0-15 PSI Electric Fuel Pressure Gauge (dash mount)	26-503
0-15 PSI Fuel Pressure Gauge (liquid filled) 1-1/2" Dia. 1/8" NPT	100189ERL
-10AN male to -10AN O-ring port adapter	AT985010ERL
-8AN male to -10AN O-ring port adapter	AT985081ERL
-6AN male to -8AN O-ring port adapter	AT985068ERL
-8AN male to -8AN O-ring port adapter	AT985008ERL
-8AN plug O-ring port adapter	AT981408ERL
-8AN O-ring port plug	AT981408ERL
-10AN O-ring port plug	AT981410ERL
-8AN Y block	AT100173ERL
-10AN Y block	AT100174ERL

Holley Performance Products
 1801 Russellville Road
 Bowling Green, KY 42101
 Technical Service: 1-866-464-6553
 Phone: 1-270-781-9741

Printed in the U.S.A.
 © 2016 Holley Performance Products, Inc. All rights reserved.

199R11111
 Revision Date: 7-8-16