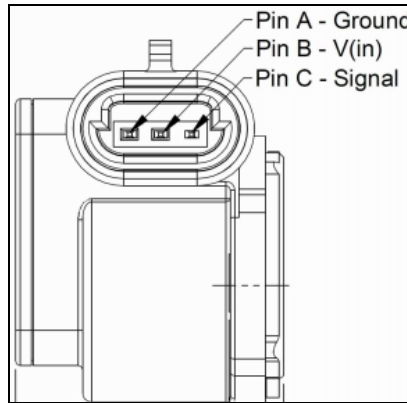




543-112 NON CONTACT MAGNETIC THROTTLE POSITION SENSOR

TPS SENSOR WIRING:



A: GROUND
B: +5V
C: SIGNAL

NOTE: the supplied TPS connector is a 'pull-to-seat' style. Feed wire through the connector from the rear leaving a few inches out the front to work with. Strip the wire then crimp the terminal to the wire. To seat the terminal in the connector body, simply pull the wire back through the connector until it locks into position.

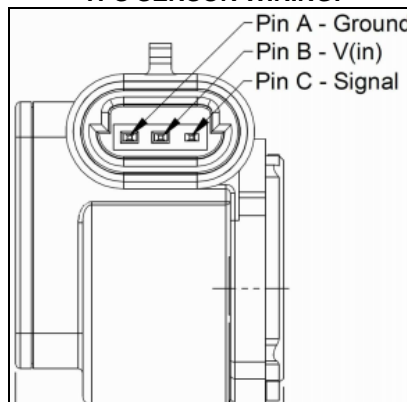
199R111135

Date: 7-1-16



543-112 NON CONTACT MAGNETIC THROTTLE POSITION SENSOR

TPS SENSOR WIRING:



A: GROUND
B: +5V
C: SIGNAL

NOTE: the supplied TPS connector is a 'pull-to-seat' style. Feed wire through the connector from the rear leaving a few inches out the front to work with. Strip the wire then crimp the terminal to the wire. To seat the terminal in the connector body, simply pull the wire back through the connector until it locks into position.

199R111135

Date: 7-1-16