



4R70W/75W 98+ Transmission Harness P/N 558-470

Requires software version 4.0 build 32 or higher and ECU firmware 4.0 build 74 or higher.

The transmission harness can be used on 4R70W and 4R75W transmissions from 1998 onward.

Connectors

Transmission ECU Connector (P4) – Plugs into the ECU. Plugs into the last connector opposite the main harness.

Main Transmission Connector – Simply plugs into the connector on the transmission.

Transmission Range Connector – Plugs in at the manual lever on the transmission. The loose wires are for various car features and are listed later in the instructions.

Vehicle Speed Sensor (VSS)/Transmission Output Speed Sensor (OSS) – Two short jumper harnesses are included – select the correct one for your application based on the sensor's connector shape.

Pressure Transducer (optional) – The harness is supplied with a prewired pressure transducer connector. This can be used to monitor transmission line pressure if desired. The input will need to be configured for the sensor used in the I/O and then mapped to J4-B21. A Holley 0-500psi sensor (554-136) is recommended.

Loose Wires

Brake Switch (brown/white) – Wired to the brake light switch. This must be installed to a +12v source (as most brake light switches are). This input is used to unlock the torque converter when the brakes are applied.

OD Cancel (tan) (optional) – Use this wire on a momentary switch to disable/enable overdrive. This must be installed to a +12v.

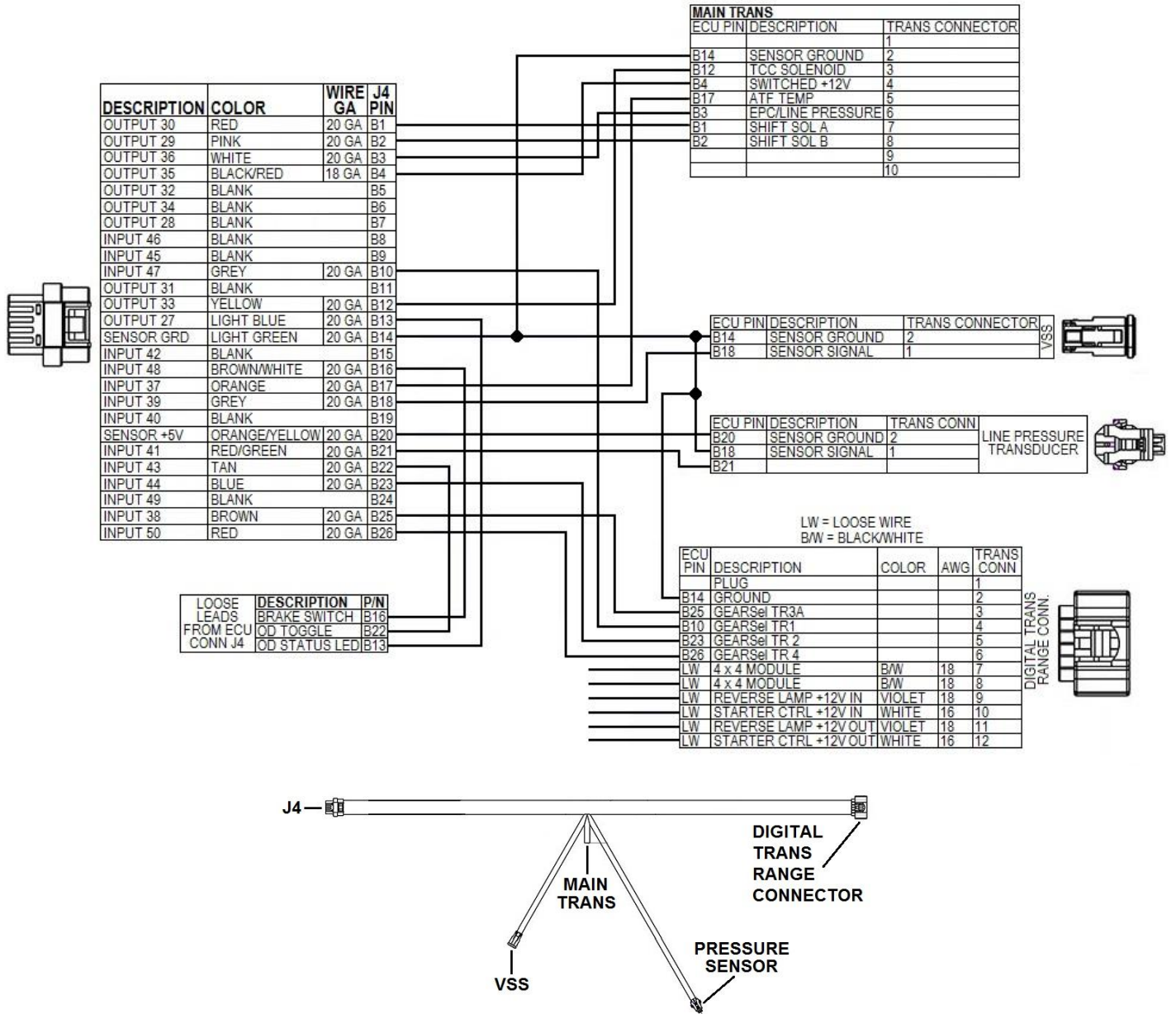
OD Status (light blue) (optional) – Hook this to the ground side of an LED to indicate if OD Cancel is active.

***Reverse Lights** (violet) – Pass through circuit for reverse lamp activation.

***Neutral Safety Switch** (white) – Pass through circuit for starter solenoid.

***4x4 Module** (black/white) (optional) – Pass through circuit for 4x4 modules.

***NOTE: Refer to factory manuals in order to wire these functions into factory vehicles equipped with these functions.**



Technical Support: 1-866-464-6553

199R11243

Date: 10-24-17