



P/N 1932

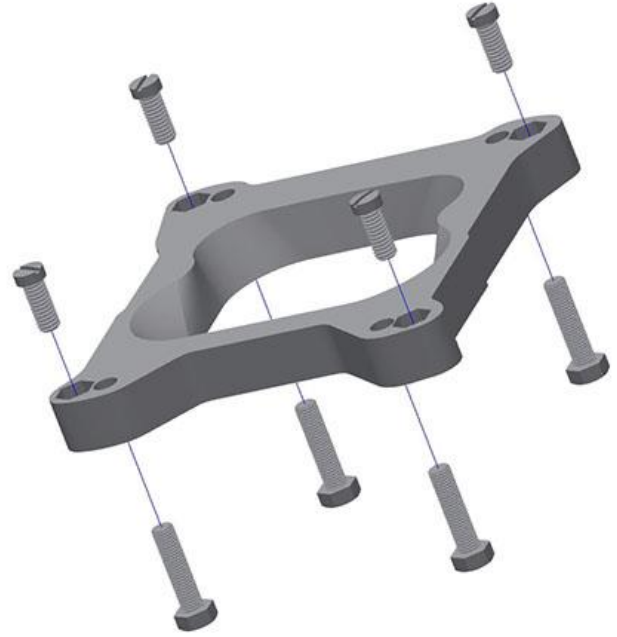


199R11250

Date: 1-26-17



P/N 1932



199R11250

Date: 1-26-17



P/N 1932

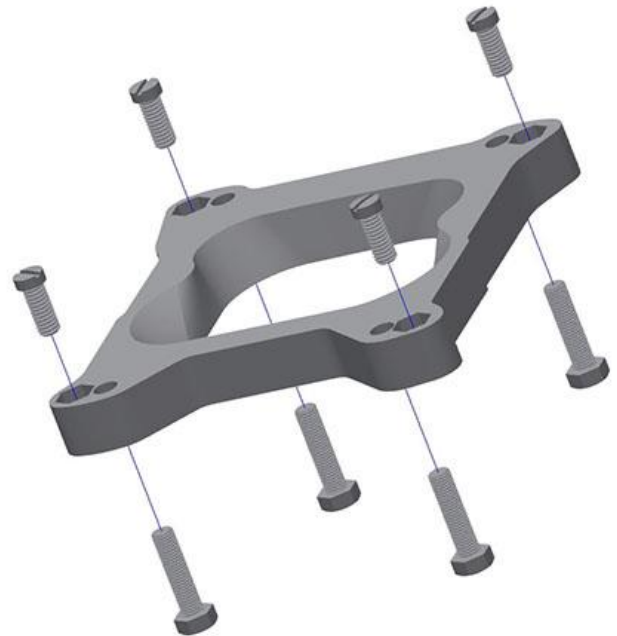


199R11250

Date: 1-26-17



P/N 1932



199R11250

Date: 1-26-17