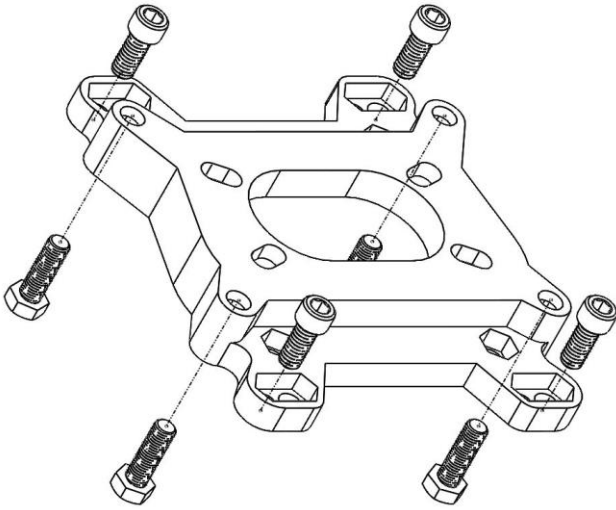
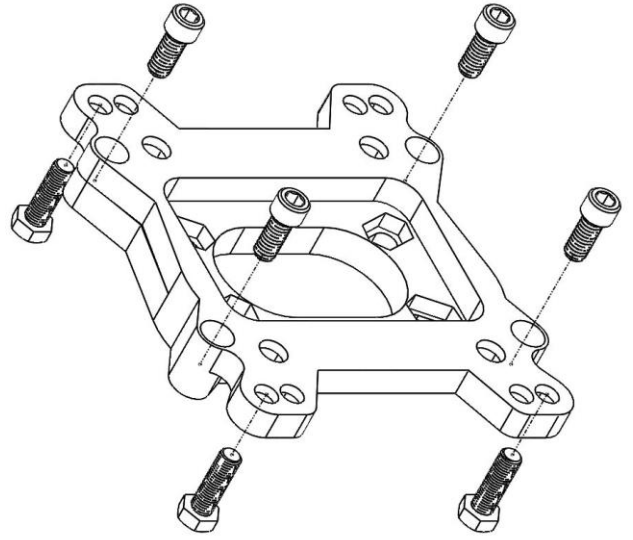




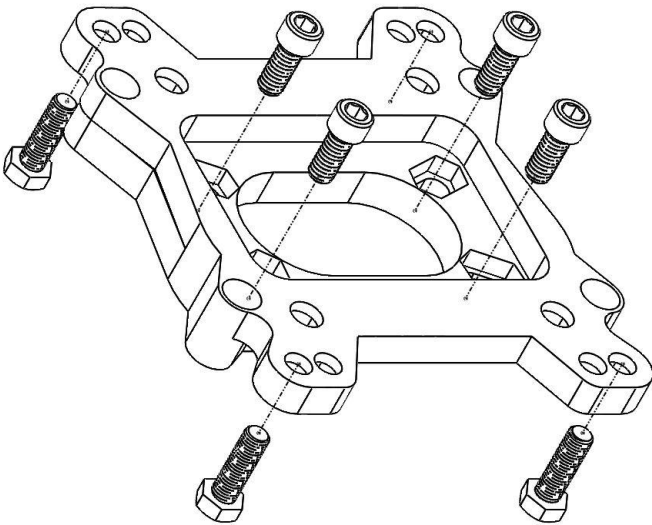
P/N 1933



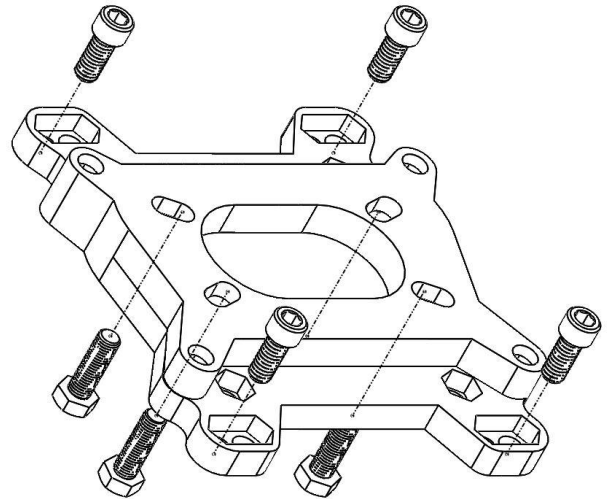
2300 to 4150



4150 to 2300



4150 to Carter



Carter to 4150

199R11251  
Date: 6-30-17