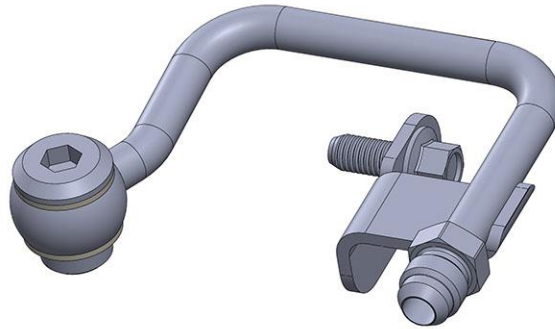
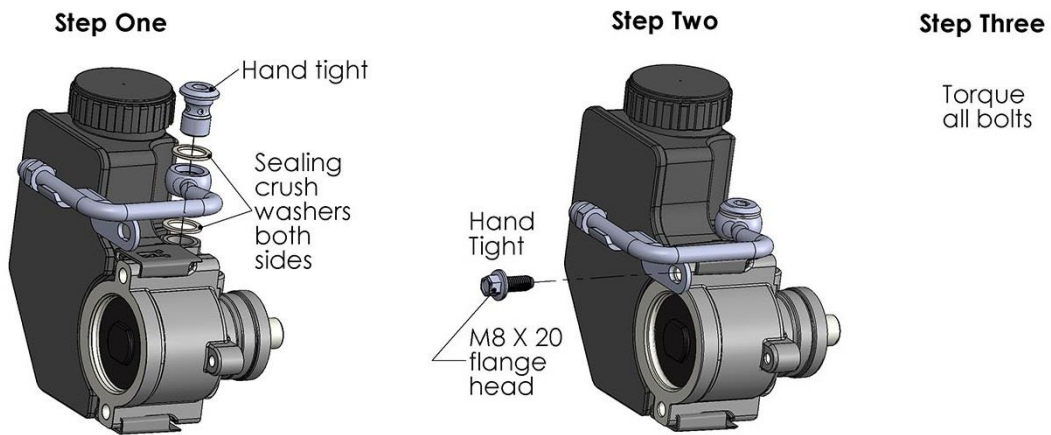




Tight-In LS & LT P/S Type II Pres Hardline 198-203



Contents:	
Qty.	Description
1	Bolt – M8 x 1.25 x 20 Flange Head
1	Banjo Bolt
2	Crush Washer
1	Tube Assembly
1	Instruction Sheet



NOTE: Torque M8 bolts to 18 ft./lbs. and banjo bolt to 25 ft./lbs.

199R11289
Date: 4-20-17