



P/N 71013002-RHKR
Accessory harness Kit



Wiring Diagrams & Schematics

The following wiring diagrams and schematics can be used to supply the Attitude Exhaust valve Controller with RPM and Throttle position inputs when the vehicle is not equipped with an OBD-II connection or if the application requires the use of a MAP sensor when a TPS sensor is not available for load inputs to the EVC controller. The accessory harness can also be used to create remote and custom analog controls for the Attitude EVC.

Note: creating analog controls is an advanced use of the product and a strong understanding of circuit design is recommended before attempting to use this feature.

Connector CN11- Accessory harness pin out identification

The accessory harness is a 10 pin connector that will plug directly into the accessory inputs and outputs harness of the Attitude EVC main wiring harness P/N 271R1161A connector CN10.

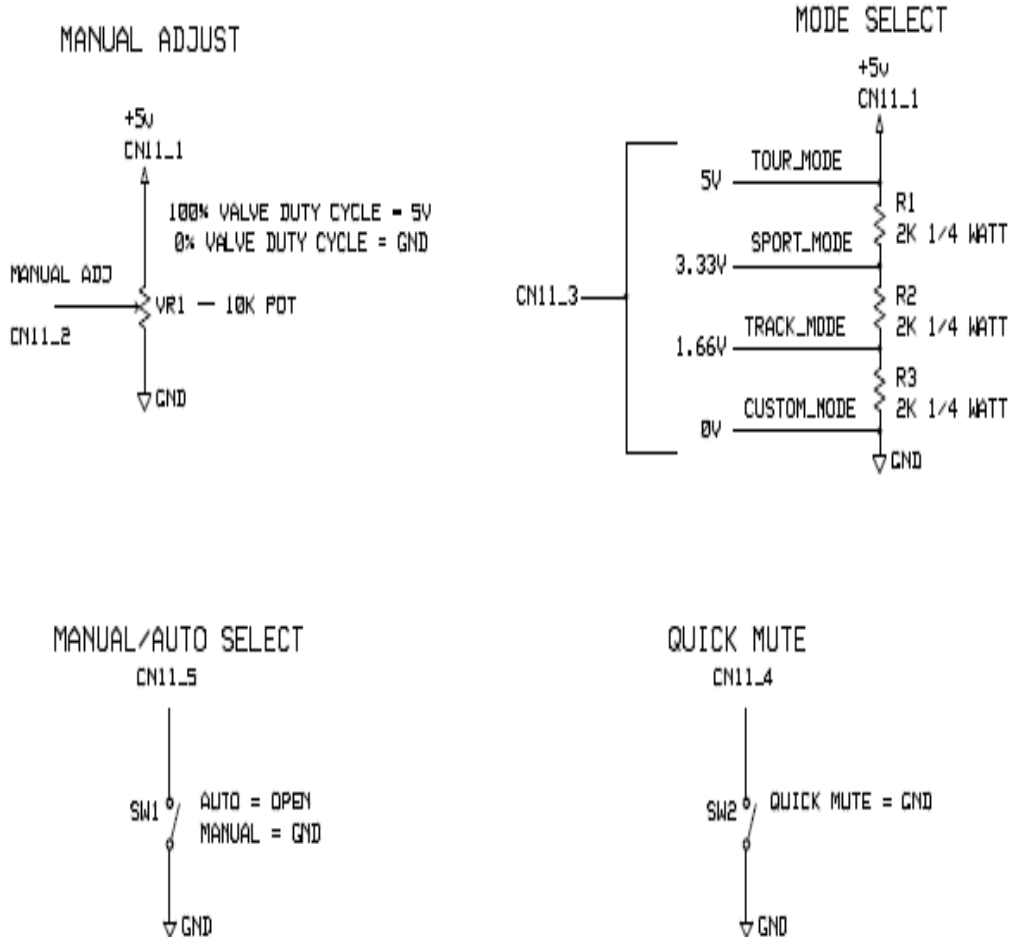
Pin #	Wire Color	Output type	Input type	Description
A 1	PINK	5 volt_sensor_ref		5 Volt reference out to control circuit
B 2	GREEN		MANUAL VALVE ADJUST_IN	Adjust valve position manually from 0-100%
C 3	GRAY		MODE SELECT_IN	Select from the 4 active control options
D 4	BLUE		VALVE FORCE CLOSED_IN	“QUICK MUTE BUTTON” INPUT
E 5	PURPLE		MAN/AUTO SELECT_IN	Manual or active mode select switch input
F 6	TAN		TPS_IN	TPS reference from vehicle
G 7	PINK	5 volt_sensor_ref		5 Volt reference out to control circuit
H 8	YELLOW		Tach_IN	RPM signal from vehicle
J 9	BLACK	Ground		Ground out to control circuit
K 10	BLACK	Ground		Ground out to control circuit

Analog inputs for RPM and Throttle position (TPS)

See Attitude EVC (71013001-RHKR) instruction sheet for details on using this option.

NOTE: You can find all Holley product instruction sheets at the following website, then enter the Holley part number. <https://www.holley.com/support/instructions/>

Attitude EVC Remote Control Circuit Wire Diagram



Parts Resources and Part Numbers for Creating Custom Circuits

2K RESISTOR – mode select circuit – www.digikey.com – P/N CF14JT2K00CT

0-10K POTENTIOMETER – manual adjuster knob – www.digikey.com – P/N 987-1661

ROTARY SWITCH – active mode select knob – www.digikey.com – P/N KC14A13.001NLS

MOMENTARY PUSH BUTTON – “Quick mute” – www.holley.com – P/N 15651NOS or 15610NOS

Holley Technical Support
1-866-464-6553

199R11298

Date: 3-21-17