



QUICK FUEL FILTER- REGULATORS P/N 30-201QFT (w/ 8AN thread) Installation Instructions 199R11503

WARNING! These instructions must be read and fully understood before beginning the installation. Failure to follow these instructions may result in poor performance, vehicle damage, personal injury, or death. If these instructions are not fully understood, installation should not be attempted.

INTRODUCTION:

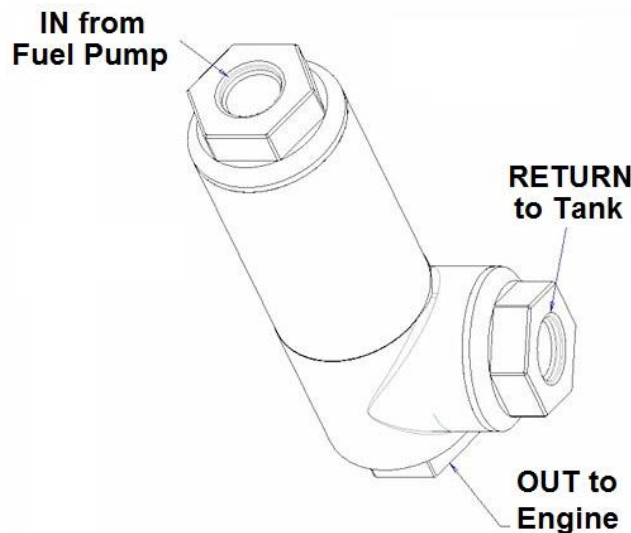
Congratulations on your purchase of the QUICK FUEL Filter-Regulator! QUICK FUEL cannot and will not be responsible for any alleged or actual engine or other damage, or other conditions resulting from misapplication of the parts described herein. However, it is our intent to provide the best possible products for our customer; products that perform properly and satisfy your expectations. Should you have any questions, please call Tech Support at 1-866-464-6553, M-F, 8-6 CST & Sat. 9-3 CST. Please have the part number on hand of the product when you call.

SPECIFICATIONS:

1. The regulator is preset to 4 Bar (59.5 PSI).
2. The return flow from the regulator can be 6AN, 8AN, or 3/8" hose. This should be determined based on fuel pump flow for your application.

OPTIONAL & REPLACEMENT PARTS:

AT949008ERL	90° 3/4-16 to 8AN Male Swivel
AT949068ERL	90° 3/4-16 to 6AN Male Swivel
AT985008ERL	Straight 3/4-16 to 8AN Male
AT985068ERL	Straight 3/4-16 to 6AN Male
782266ERL	90° 3/8 NPT Elbow to 3/8" Hose Barb
781666ERL	Straight 3/8 NPT to 3/8" Hose Barb
162-574	Black Aluminum Mounting Bracket
162-574S	Polished Aluminum Mounting Bracket
12-878	Regulator Replacement Kit
162-558	Filter Replacement Element Kit (175 GPH, 10 micron)

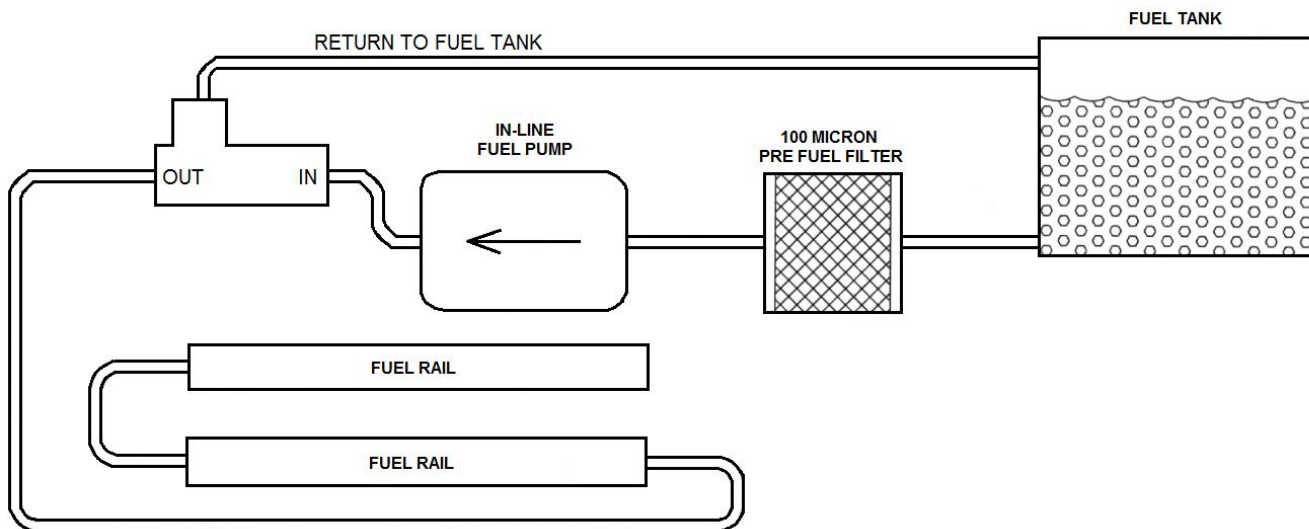


INSTALLATION:

These QUICK FUEL Filter Regulators are designed to help minimize the fuel line plumbing needed when installing an electronic fuel injection conversion. Under ideal circumstances, the filter regulator should be mounted as close to the fuel pump and fuel tank assembly as possible. This allows for the shortest return line length for your system.

NOTE: Avoid unnecessary restrictions, such as sharp bends and undersized fuel fittings and hoses. Avoid routing fuel lines in areas that would cause chafing. All fuel line connections must be leak proof.

WARNING! IF SPLICING INTO EXISTING FUEL LINES, USE EXTREME CARE TO AVOID CONTAMINATING THE LINE WITH RUBBER OR METAL SHAVINGS, AS THIS WILL DAMAGE THE PUMP. IF THE FUEL LINE HAS BEEN CUT, IT IS ESSENTIAL THAT IT BE CLEANED TO ENSURE THAT NO METAL OR RUBBER PARTICLES ENTER THE FUEL SYSTEM. THIS IS PERFORMED BY BLOWING THE LINE CLEAN WITH COMPRESSED AIR. QUICK FUEL DOES NOT RECOMMEND THE PROCEDURE WHERE THE COIL WIRE IS DISCONNECTED, THE ENGINE IS CRANKED, AND THE FUEL IS COLLECTED IN A CONTAINER. SPARKING CAN OCCUR DURING THIS PROCEDURE, WHICH MAY RESULT IN A FIRE AND/OR EXPLOSION.



1. Select an area under car but in front of the fuel pump to mount the filter regulator.
2. Route both new and existing fuel lines to connect to the filter regulator assembly.
3. Once you are satisfied with your lines and connections, follow the test procedure below.

CAUTION! While performing the following steps, if any fuel leaks are detected, immediately turn the fuel pump OFF, remove any spilled fuel, and repair the leak(s) before proceeding!

4. Turn the fuel pump ON **without starting the engine by turning the ignition key to the "ON" position**, allow the pump to run for several seconds and check the fuel pressure gauge (if applicable). If there is no pressure, turn the fuel pump OFF, wait one minute, then turn the fuel pump ON and recheck the pressure. Repeat this fuel pump OFF and ON procedure until the fuel pressure gauge registers pressure or you detect a fuel leak.
5. It may be necessary to loosen the fuel line fitting at the pressure regulator to bleed off excessive air in the system. Tighten any fuel line fittings that were loosened and ensure that any spilled fuel is cleaned up and removed from the vicinity of the vehicle.
6. Test drive the vehicle to ensure proper operation and re-check the fuel system for leaks.
7. **If any leaks are found, immediately discontinue use of the vehicle and repair the leak(s)!**

QUICK FUEL
Technical Service: 1-866-464-6553
Phone: 1-270-781-9741

Printed in the U.S.A.

199R11503
Date: 1-18-18