



HOLLEY PRESSURE SAFETY SWITCH INSTALLATION P/N 12-810

Congratulations on your purchase of the Holley Pressure Safety Switch! If you have any questions about the product or installation, please call Holley Technical Support at 1-270-781-9741. Follow the instructions as outlined below, using the wiring diagram (on back) as a guide.

1. Disconnect the ground cable from the battery.
2. Remove the original equipment oil pressure switch and retain.
3. Screw a 1/8" pipe nipple into the hole from which the pressure switch was removed. Use any suitable thread sealant on all fittings, taking care to avoid an excess which might contaminate the engine.
4. Screw a 1/8" pipe tee onto the nipple and position it in a manner to facilitate the installation of the original pressure switch and the new pressure safety switch in the remaining two holes.
5. Screw in the two switches and reconnect the lead to the original equipment oil pressure switch.

NOTE: The pressure safety switch will normally have three terminals marked: C (common), N (normally closed), and NO (normally open).

6. Connect the fuel pump (RED lead) to the terminal marked "C". In this line, add an in-line fuse holder and a 7.5 amp fuse.
7. Connect the terminal marked "NO" on the ON terminal of the ignition switch.
8. Connect the terminal marked "N" to the starter motor circuit (should have power only while cranking).
9. To complete the installation, connect the ground cable to the battery.

NOTE: Use a minimum of 14 gauge wire. Be sure to crimp all the electrical connectors securely. Clean any area where ground leads will be fastened.

WIRING: If the pressure switch is omitted from the wiring circuit, the pump may be wired directly to the ignition source and grounded at the frame or battery.

199R9680-1
Date: 2-19-10



HOLLEY PRESSURE SAFETY SWITCH INSTALLATION P/N 12-810

Congratulations on your purchase of the Holley Pressure Safety Switch! If you have any questions about the product or installation, please call Holley Technical Support at 1-270-781-9741. Follow the instructions as outlined below, using the wiring diagram (on back) as a guide.

1. Disconnect the ground cable from the battery.
2. Remove the original equipment oil pressure switch and retain.
3. Screw a 1/8" pipe nipple into the hole from which the pressure switch was removed. Use any suitable thread sealant on all fittings, taking care to avoid an excess which might contaminate the engine.
4. Screw a 1/8" pipe tee onto the nipple and position it in a manner to facilitate the installation of the original pressure switch and the new pressure safety switch in the remaining two holes.
5. Screw in the two switches and reconnect the lead to the original equipment oil pressure switch.

NOTE: The pressure safety switch will normally have three terminals marked: C (common), N (normally closed), and NO (normally open).

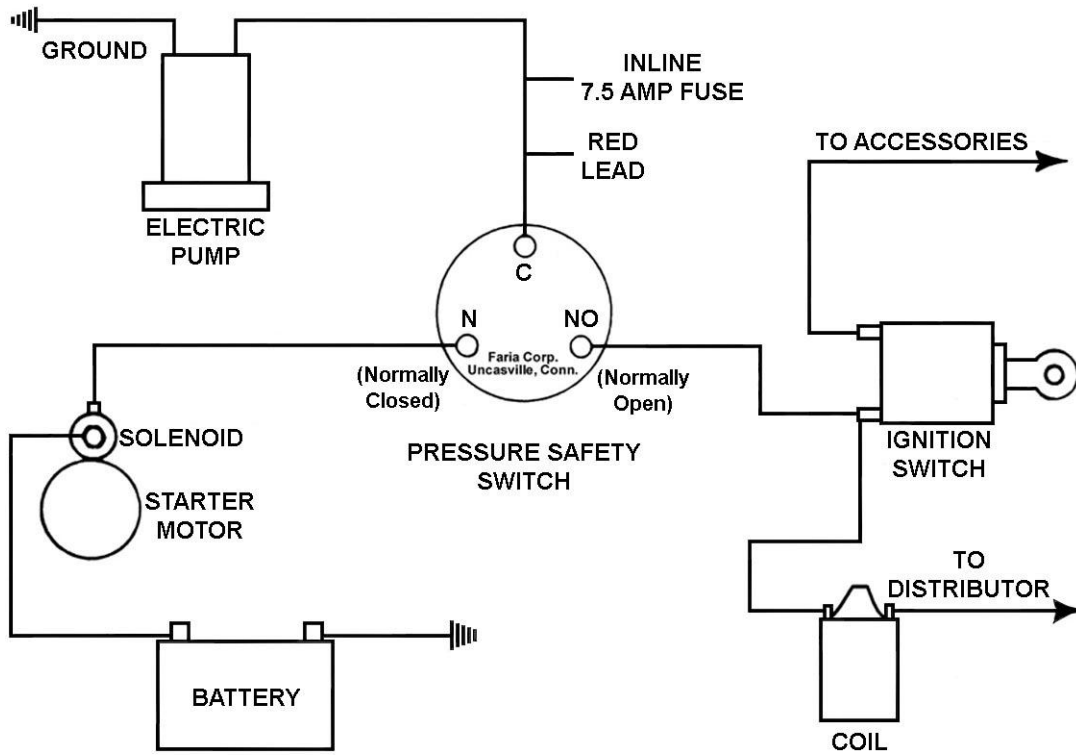
6. Connect the fuel pump (RED lead) to the terminal marked "C". In this line, add an in-line fuse holder and a 7.5 amp fuse.
7. Connect the terminal marked "NO" on the ON terminal of the ignition switch.
8. Connect the terminal marked "N" to the starter motor circuit (should have power only while cranking).
9. To complete the installation, connect the ground cable to the battery.

NOTE: Use a minimum of 14 gauge wire. Be sure to crimp all the electrical connectors securely. Clean any area where ground leads will be fastened.

WIRING: If the pressure switch is omitted from the wiring circuit, the pump may be wired directly to the ignition source and grounded at the frame or battery.

199R9680-1
Date: 2-19-10

WIRING DIAGRAM



WIRING DIAGRAM

