

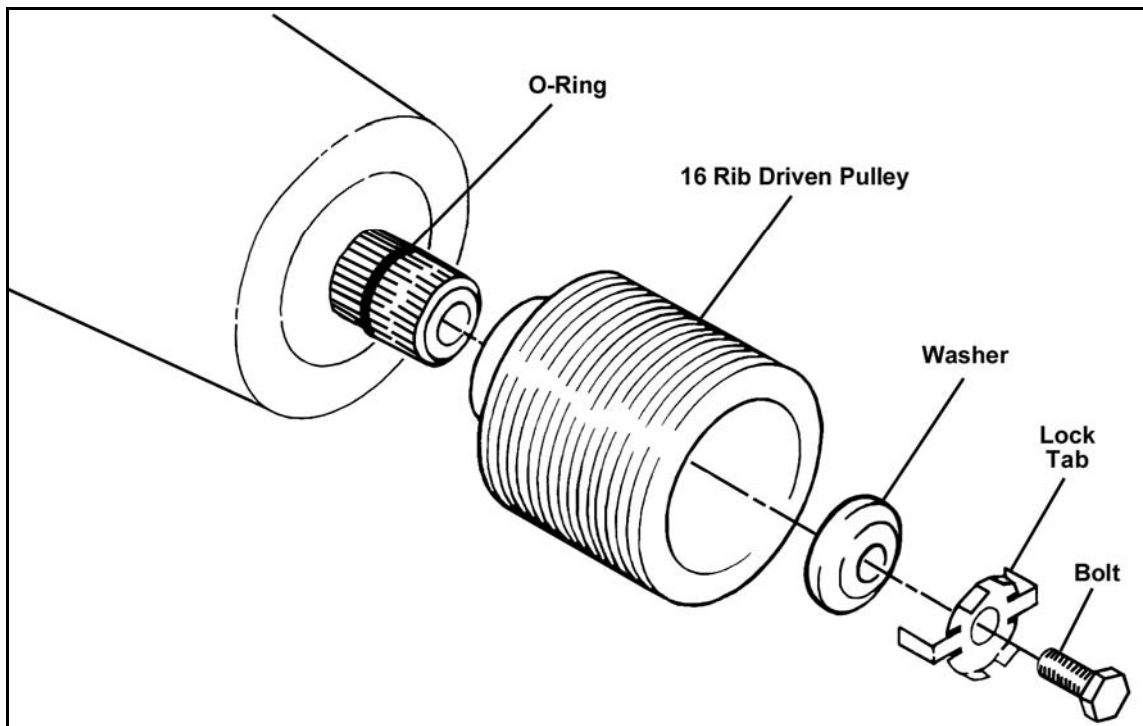


## INSTALLATION INSTRUCTIONS 16 RIB DRIVEN PULLEYS

P/N 155191-155195

1. Make sure that the O-ring is installed in the groove on the blower input shaft.
2. Put anti-seize compound on the splines of the blower input shaft.
3. Put the splined 16 rib driven pulley on the input shaft and line up the spline. Do not drive the pulley onto the shaft, since this will damage the bearing.
4. Put the 3/8 x 1 1/4" bolt supplied with the driven pulley through the large pulley-retaining washer and the pulley into the threaded hole in the input shaft.
5. Tighten the bolt, until it bottoms. Remove the 1 1/4" bolt. Put the 1" long grad 8 bolt through the locking tab into the two 1/4" tapped holes in the driven pulley. Put the supplied thread-sealing compound on the threads of the bolt.
6. Tighten the 1" bolt to 30 ft./lbs. Using pliers, pull out two of the short fingers on the locking tab and squeeze them together to lock the bolt in place, so that it will not loosen.

**NOTE: If it is necessary to remove the pulley, use a gear or steering wheel puller. There are two 1/4-20 threaded holes in the pulley for a puller.**



Holley Performance Products  
1801 Russellville Road  
Bowling Green, KY 42101-3542  
Technical Service: 270-781-9741  
1-866-GOHOLLEY (1-866-464-6553)  
Fax: 270-781-9772

For online help, please refer to the Tech Service section of our website: [www.holley.com](http://www.holley.com)

9500509-03  
Date: 10-26-01