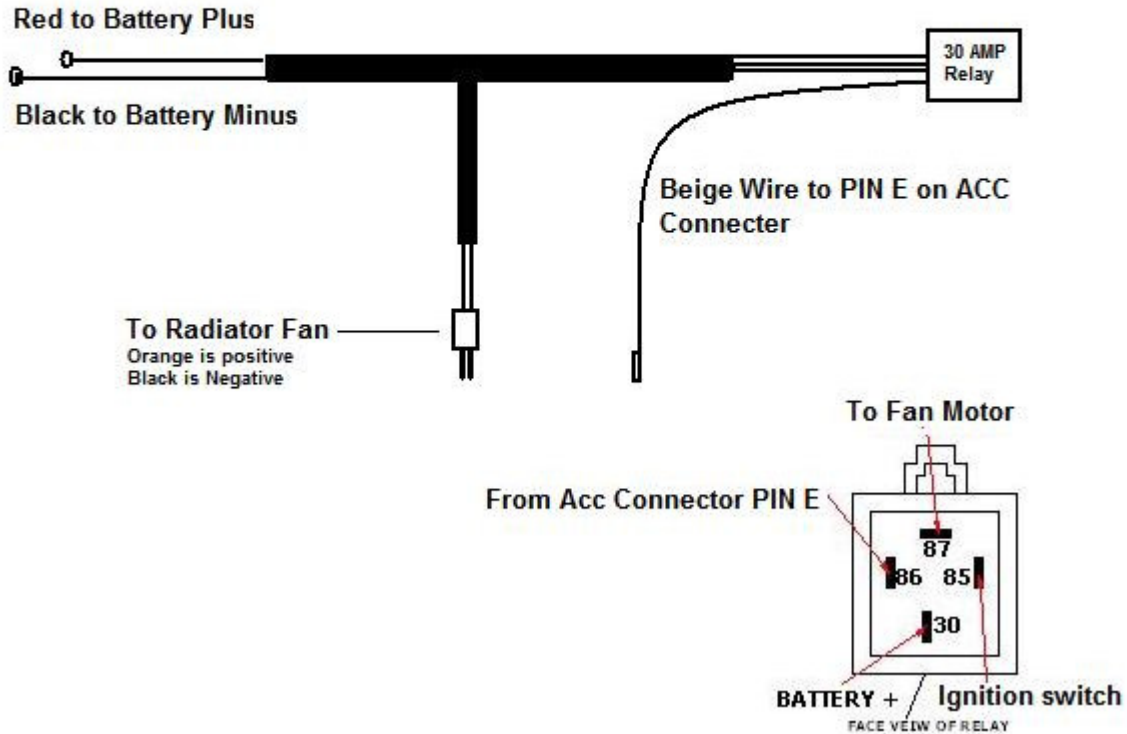


# ACCEL DFI 77171 Instructions – Fan Harness Diagram



When using dual fans, you can utilize the shift light output (White Wire by ECM) from GEN 7 – THRUSTER EFI to control FAN 2.

Any questions, please call ACCEL DFI TECH at (248) 380-2780  
Or email your questions to [thrusterefi@mrgasket.com](mailto:thrusterefi@mrgasket.com)