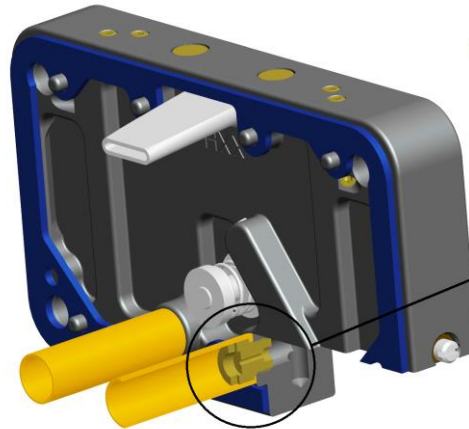




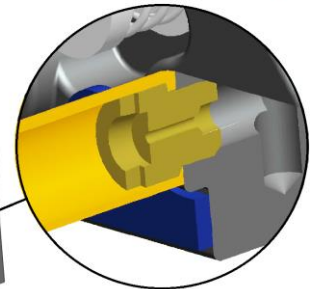
**JET EXTENSION KITS
P/N 122-5002 & 122-5003**

WARNING! THE 122-5002 & 122-5003 (alcohol) JET EXTENSION KITS ARE DESIGNED FOR USE WITH THE HOLLEY® XP FUEL BOWL AND NOTCHED FLOAT SHOWN BELOW. USING THIS KIT WITH ANY OTHER FUEL BOWL, FLOAT, AND METERING BLOCK MAY ALTER THE FUNCTION OF THE CARBURETOR. IT SHOULD BE CHECKED FOR FIT AND FUNCTION PRIOR TO USE.

1. Drop jet into extension and use screwdriver to firmly tighten, securing the jet and extension to the metering block.



**CROSS-SECTION OF JET
INSTALLED INSIDE EXTENSION**



199R10625

Holley Technical Support: 1-866-464-6553

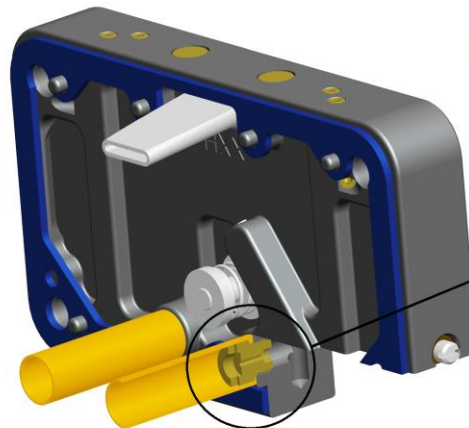
Revision Date: 4-23-15



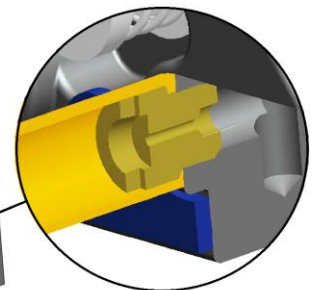
**JET EXTENSION KITS
P/N 122-5002 & 122-5003**

WARNING! THE 122-5002 & 122-5003 (alcohol) JET EXTENSION KITS ARE DESIGNED FOR USE WITH THE HOLLEY® XP FUEL BOWL AND NOTCHED FLOAT SHOWN BELOW. USING THIS KIT WITH ANY OTHER FUEL BOWL, FLOAT, AND METERING BLOCK MAY ALTER THE FUNCTION OF THE CARBURETOR. IT SHOULD BE CHECKED FOR FIT AND FUNCTION PRIOR TO USE.

1. Drop jet into extension and use screwdriver to firmly tighten, securing the jet and extension to the metering block.



**CROSS-SECTION OF JET
INSTALLED INSIDE EXTENSION**



199R10625

Holley Technical Support: 1-866-464-6553

Revision Date: 4-23-15