



## 2-Wire/4-Wire Bulkhead Fitting Kits 26-151 & 26-152

### Before You Buy:

- Fittings are designed to be installed in racing fuel cells and fuel tanks that have sufficient internal access for a wrench inside the tank.

### Before You Install:

- Tools Needed:
  - 1-1/16" diameter hole saw
  - Grease Pencil or Marker
  - Scrap metal, plastic, or wood for testing hole
  - 1-3/8" Wrench
  - File (half round or rat tail)
- Make certain that your tank is in good condition and is compatible with your new bulkhead.

**WARNING!** It is particularly important to remember one of the very basic principles of safety: fuel vapors are heavier than air and tend to collect in low places where an explosive fuel/air mixture may be ignited by any spark or flame, resulting in property damage, personal injury, and/or death. Extreme caution must be exercised to prevent spillage and thus eliminate the formation of such fuel vapors.

**NOTE:** Holley recommends having your tank professionally cleaned before installing your bulkhead.

- If you choose not to have the tank professionally cleaned, drain the tank completely, let dry, and then fill with water.
- Check your bulkhead for any defects or missing pieces.

### BULKHEAD INSTALLATION:

1. Mark the appropriate center point on the outside of the tank
2. Cut a hole in your test / scrap piece and ensure proper fit of the fitting. The bulkhead should pass into the hole but have no more than a 1/64 (.016) inch of side-to-side clearance.
3. Once you are sure about the hole size, drill the hole in the tank and completely deburr the edges on both sides before assembly.
4. Cut the wires inside the tank to fit the pump location as needed.
5. Assemble appropriate fuel pump connector and/or terminals securely.
6. Put the bulkhead (including the gasket) through from the inside of the tank (**Figure 1**).
7. Hand-tighten the nut from the outside. Torque to 60-70 in./lbs. (**Figure 2**).
8. Water-test your tank to check for leaks.

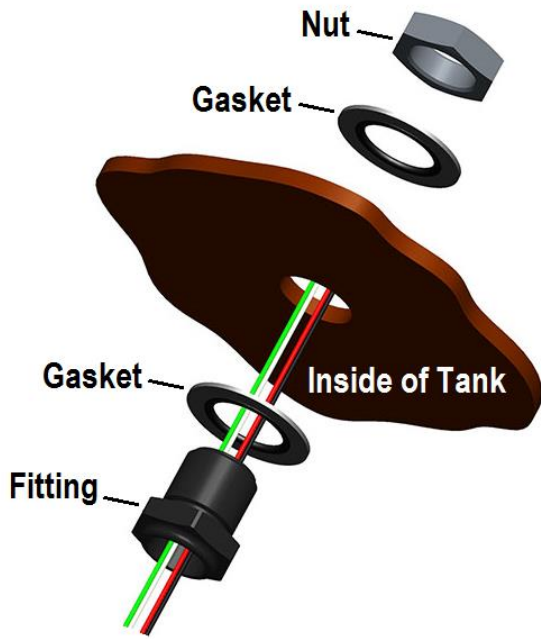


Figure 1

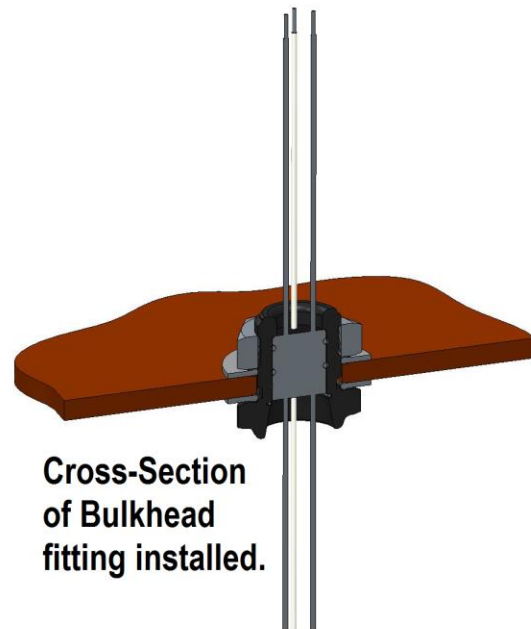


Figure 2

**Holley® Performance Products**  
1801 Russellville Road  
Bowling Green, KY 42101

1-270-781-9741  
1-866-464-6553  
[www.holley.com](http://www.holley.com)

© 2014 Holley Performance Products, Inc. All rights reserved.

**199R10713**  
**Revision Date: 9-28-16**