



HOLLEY 2 PORT BILLET FUEL PRESSURE REGULATORS

P/N 12-851 & 12-852

Installation Instructions 199R10754

WARNING! These instructions must be read and fully understood before beginning the installation. Failure to follow these instructions may result in poor performance, vehicle damage, personal injury, or death. If these instructions are not fully understood, installation should not be attempted.

APPLICATIONS:

P/N	DESCRIPTION	PRESSURE RANGE	INLET/OUTLET SIZE	RETURN SIZE
12-852	2 Port Carbureted Billet FP Regulator, Adjustable, Return Style	4.5 to 9 PSI	10AN O-ring in/out	10AN O-ring
12-851	2 Port EFI Billet FP Regulator, Adjustable, Return Style	40 to 100 PSI	10AN O-ring in/out	10AN O-ring

INTRODUCTION:

Congratulations on your purchase of the Holley 2 Port Regulator! Holley Performance Products cannot and will not be responsible for any alleged or actual engine or other damage, or other conditions resulting from misapplication of the parts described herein. However, it is our intent to provide the best possible products for our customer; products that perform properly and satisfy your expectations. Should you have any questions, please call Tech Support at 1-866-464-6553, M-F, 8-6 CST & Sat. 9-3 CST. Please have the part number on hand of the product when you call.

NOTE: Alcohol engines typically require 3-5 psi at idle and 9-11 at WOT.

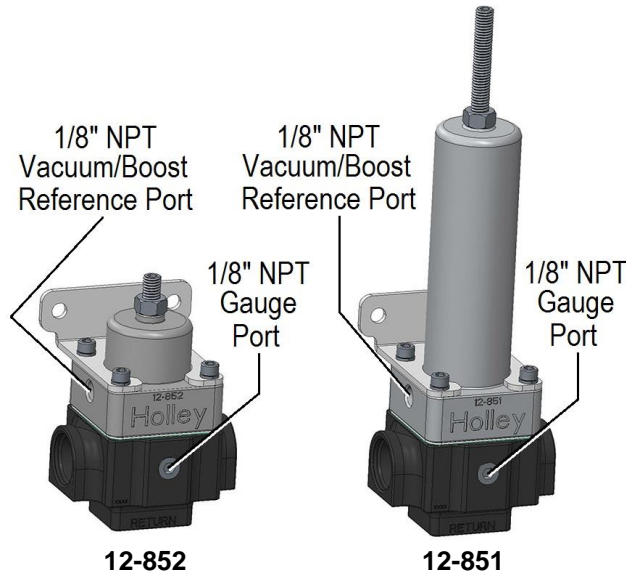


Figure 1

INSTALLATION:

1. Determine whether you will be mounting the regulator before or after the carburetor. If using an EFI system, Holley recommends placing the regulator after the fuel rails. Then, using the bracket supplied with the regulator, position the regulator as close to the carburetor or fuel rail as possible, taking care to minimize the exposure to heat sources. **DO NOT** mount the regulator on the exhaust manifold or any extremely hot surfaces.
2. The above return style regulators have one discharge (out) port, one inlet port, one return port and one gauge port. See **Figure 1**. (See chart above for fitting sizes).
3. Connect the fuel line from the outlet of the pump to the inlet of the regulator. All fuel line connections must be leakproof.

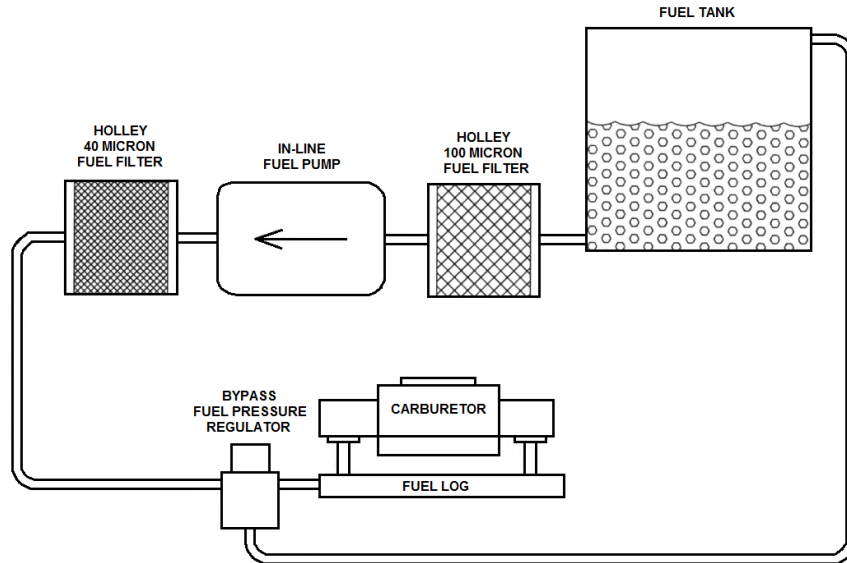


Figure 2a (Carburetor Only)

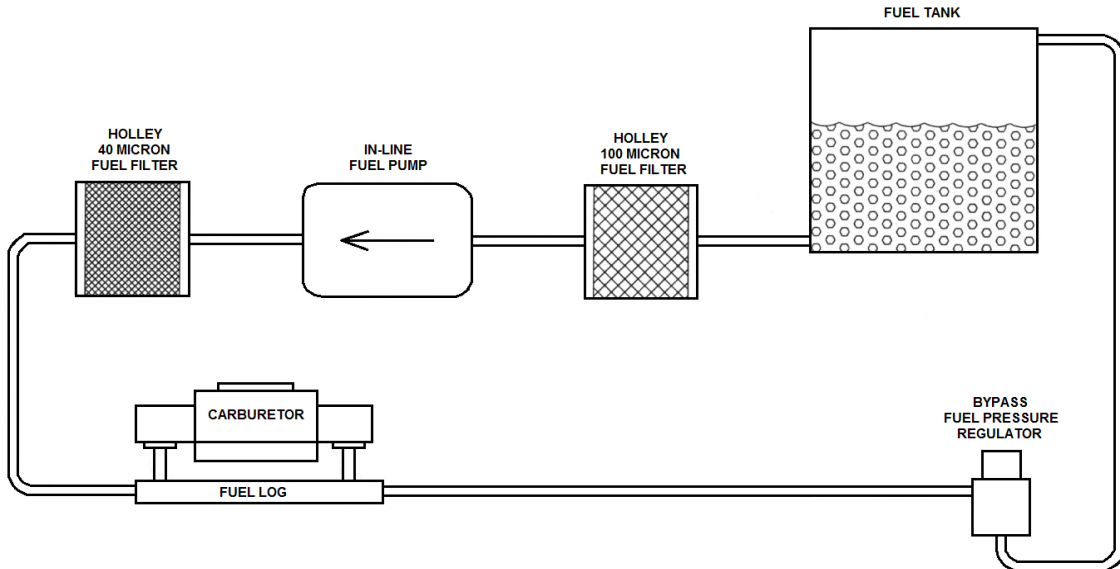


Figure 2b (Carburetor Only)

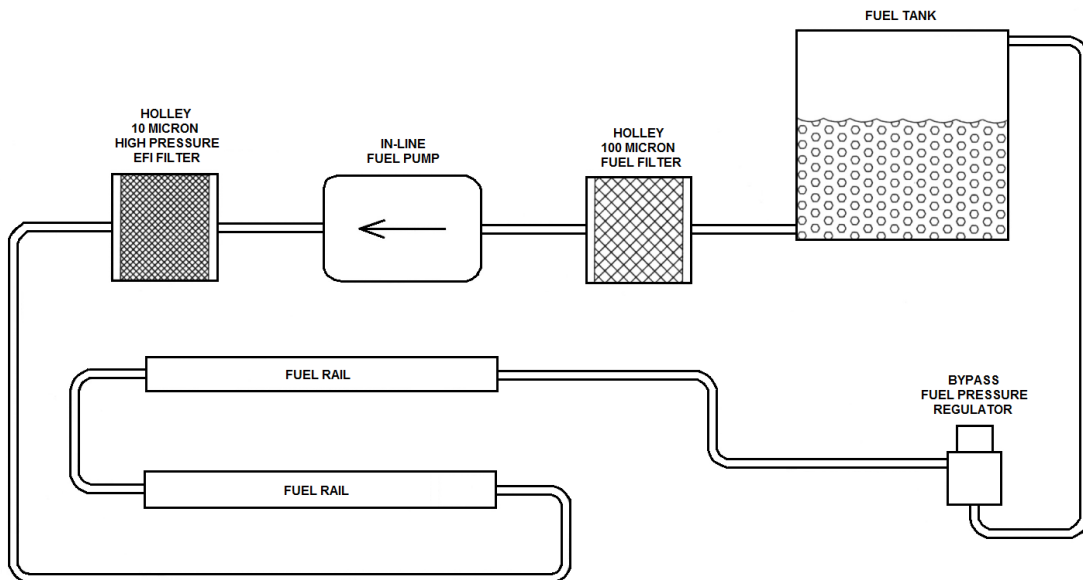


Figure 2c (EFI Only)

4. Connect the outlets of the regulator to the carburetor (if the regulator is installed before the carburetor **per Figure 2a**). If the regulator is installed after the carburetor (**Figure 2b**) or EFI (**Figure 2c**), the outlet needs to be plugged.

NOTE: The regulator is equipped with the vacuum/boost reference port connection on the cap. This can be connected to full manifold vacuum to slightly decrease fuel pressure at idle and cruise. This is a requirement on forced induction engines, so that the differential fuel pressure stays constant under boost.

5. The regulator comes from Holley with the regulator pressure preset to approximately 7PSI for low pressure regulators and approximately 43.5 for high pressure regulators. However, for individual requirements, it may be readjusted. Loosening the regulator locknut and turning the adjustment screw clockwise increases the pressure. Decrease pressure by turning the adjustment screw counter-clockwise. Use a fuel pressure gauge to monitor changes.

WARNING! ALWAYS USE A FUEL PRESSURE GAUGE BETWEEN THE REGULATOR AND THE CARBURETOR(S) WHEN ADJUSTING THE FUEL PRESSURE REGULATOR.

NOTE: If using a carburetor, any change made in fuel pressure will change the fuel bowl float level. A readjustment in fuel bowl levels will be required for proper and safe operation of the carburetor.

SERVICE PARTS AND ACCESSORIES:

ITEM	PART NUMBER
0-15 PSI Fuel Pressure Gauge (non-liquid filled) 1-1/2" Dia. 1/8" NPT	26-500
0-15 PSI Electric Fuel Pressure Gauge (dash mount)	26-503
0-15 PSI Fuel Pressure Gauge (liquid filled) 1-1/2" Dia. 1/8" NPT	26-504
0-100 PSI Fuel Pressure Gauge (liquid filled) 1/8" NPT Male Thread	100187ERL
-10AN male to -10AN O-ring Port Adapter	AT985010ERL
-8AN male to -10AN O-ring Port Adapter	AT985081ERL
-6AN male to -8AN O-ring Port Adapter	AT985068ERL
-8AN male to -8AN O-ring Port Adapter	AT985008ERL
-10AN male to -8AN O-ring Port Adapter	AT985009ERL
-10AN O-ring Port Plug	AT981410ERL

**Holley Performance Products
1801 Russellville Road
Bowling Green, KY 42101
Technical Service: 1-866-464-6553
Phone: 1-270-781-9741**

Printed in the U.S.A.

© 2015 Holley Performance Products, Inc. All rights reserved. Tous Droits Réservés.

199R10754

Revision Date: 7-15-21