



Installation Instructions

2012-14 Dodge Charger/Chrysler 300C 6.4L SRT8

3" 304SS Header-Back Exhaust System (w/ Resonators)

70502325-RHKR (w/ Mufflers) & 70502326-RHKR (w/o Mufflers)



Thank you for making HOOKER HEADERS your choice in a high-performance exhaust system. Extensive dyno/track testing has enabled HOOKER to offer the most advanced design in exhaust systems. The installation, while not complex, will take a certain amount of time. However, the additional horsepower and improved performance will more than justify your efforts. Proper installation and maintenance will ensure long life and maximum performance from your HOOKER BLACKHEART exhaust system.

WARNING! This product is not street legal and may only be used on racing vehicles. Racing vehicles must be used exclusively for racing or other forms of competition. Racing vehicles must not be registered and must never be used on the street. It is illegal to install this product on a registered vehicle and use it on the street.

BEFORE STARTING:

Your vehicle must be raised a minimum of 18 inches. A floor hoist is ideal. If no hoist is available, we strongly urge the use of axle stands as a safety measure. **Please read and understand these instructions and disclaimer in their entirety before attempting installation.**

CAUTION! WORK ONLY ON A LEVEL SURFACE. USE JACKS /JACK STANDS OF SUFFICIENT CAPACITY TO LIFT AND SUPPORT YOUR VEHICLE. NEVER WORK UNDER A VEHICLE SUPPORTED BY A FLOOR OR BUMPER JACK.

INCLUDED HARDWARE:

Accessory Pack Contents:		
P/N	Qty.	Description
556R22	2	3" Torca Coupler
556R23	8	76mm Band Clamp
199R11129	1	Instruction Sheet
599R94	2	Blackheart Decal

Parts List:	
Qty.	Description
1	H-Pipe Assembly
2	Muffler Assy or Muffler Delete Pipe
1	Left Tailpipe Assembly
1	Right Tailpipe Assembly
1	Left Mid Pipe
1	Right Mid Pipe
1	Left Tip Assembly w/ Resonator
1	Right Tip Assembly w/ Resonator

Tools Needed:	
Description	
3/8 Socket Set w/ Universal	
6" – 3/8 Drive Extension	
15mm Deep Socket	
Spray Lube (WD-40®)	
13mm Socket	
13mm Wrench	

INSTALLATION:

Inspect your accessory pack: BEFORE YOU START!

1. Place the vehicle on flat a surface, set the parking brake, and block the front wheels.
2. **Disconnect the negative terminal of the battery.**
3. Lift the vehicle and support with jack stands.

Never support a vehicle with a floor or bumper jack.

REMOVING THE OEM EXHAUST:

NOTE: A second person will be necessary to assist with the removal of the factory exhaust as one piece. Cutting the Right tailpipe at the muffler will make removal of the factory exhaust much easier, but is not necessary.

1. Support the exhaust at both ends.
2. Remove the cross braces under the exhaust system.
3. Remove the bolts at the isolator assemblies on the Left and Right tailpipes (x2 each). Take note of their position on the car for reference later (take a picture). Keep separated as left and right are different.
4. Spray all the exhaust hanger isolators with WD-40® or equivalent.
5. Separate the left tailpipe from the resonator by removing the spring nuts at the flange. Remove the isolator at the differential. Push the tailpipe rearward to clear the studs at the flange, lower the tailpipe, and pull back towards the front of the car until the tailpipe clears the bumper. Remove the Left tailpipe and muffler assembly from under the car.
6. Remove the isolator from the Right side resonator hanger (at the differential). Loosen the band clamps at the connection point between the catalytic converter down pipes and the factory X-Pipe. Spray the connection with lubricant to make disassembly easier. Slide the exhaust rearward until the X-pipe is clear of the down pipes. Lower the X-pipe inlet and pull the exhaust toward the front of the car until the tailpipe clears the bumper. Remove the exhaust from under the car.

INSTALLATION OF YOUR HOOKER BLACKHEART CAT-BACK EXHAUST:

This exhaust system is designed specifically to work with Hooker Blackheart headers 70102301-RHKR or 70102302-RHKR. These instructions assume the headers have already been installed.

NO PROVISIONS ARE MADE FOR THE INSTALLATION OF THE SECONDARY POST-CATALYST OXYGEN SENSORS. THE USE OF A TUNER IS NECESSARY TO KEEP THE CHECK ENGINE LIGHT FROM ILLUMINATING.

1. Inspect the exhaust hanger isolators and any OEM hardware to be reused. Replace, if necessary.
2. Install a supplied 3" Torca coupler on to the collector of each header with the bolts on the outside of the collector and the nuts facing down.
3. Install the Left and Right mid pipes to the header collectors with the long end of the mid pipe towards the collectors. Slide the coupler over the mid pipe so the coupler is positioned with a 50/50 split between the collector and the mid pipe. Tighten the bolts on the coupler to support the mid pipes, but allow for adjustment.
4. Install a 76mm band clamp on to the muffler inlet pipe with the clamp positioned with the bolt on top of the pipe and the bolt facing the outside of the car (**Figures 1 & 2**).

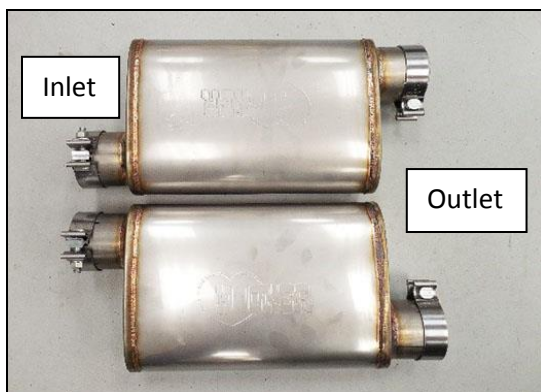


Figure 1

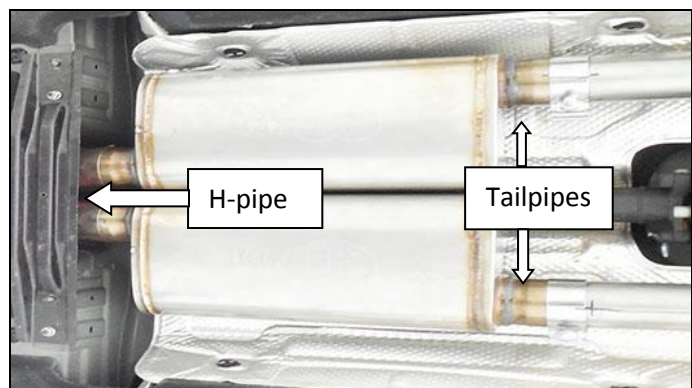


Figure 2

5. Install the mufflers or muffler delete pipes (depending on the kit you have) on to the Blackheart H-pipe while out of the car. Align the mufflers so they are square and level with the H-Pipe. Tighten the clamps on the muffler inlet only. Double check the alignment of the mufflers before installing the H-Pipe /muffler assembly into the car.
6. Install a supplied 76mm band clamp over each expanded end of the H-pipe with the bolt at the bottom of the pipe and the bolts facing out (same position the factory clamps are installed on the X-pipe).
7. Install the H-pipe/muffler assembly on to the mid pipes from the headers. It will be necessary to push the center heat shield back to make room for the 3" exhaust pipe to clear the heat shield.
8. Install the supplied 76mm band clamp over each muffler or muffler delete outlet tube (bolt inside and nut down – **Figures 1 & 2**).

9. Install the Left and Right tailpipe isolators on to the new Blackheart tailpipe tip assemblies (refer to your reference picture for correct positioning).
10. Install the **Right side tailpipe** into the muffler or muffler delete pipe. Spray the isolator at the differential with WD-40® or equivalent and rotate the tailpipe hanger into the isolator. Tighten the clamp to allow for adjustment (**Figure 3**).
11. Install the **Left side tailpipe** into the muffler or muffler delete pipe. Spray the isolator at the differential with WD-40® or equivalent and rotate the tailpipe hanger into the isolator. Tighten the clamp to allow for adjustment (**Figure 3**).
12. Install a supplied 76mm band clamp over the outlet of each tailpipe (bolt to the outside and the nut facing down – **Figure 3**).
13. Install the right side tip assembly on to the tailpipe (**Figure 3**). Align the isolator assemblies and install the bolts.
14. Install the left side tip assembly on to the tailpipe (**Figure 3**). Align the isolator assemblies and install the bolts.
15. Align the 76mm band clamp on to the tip assembly and tighten to allow for adjustment.
16. Check all the hardware and the connection points for proper installation. Adjust and tighten all clamps starting at the front and working towards the tailpipes.

NOTE: Adjust the clearance between the cross braces and the exhaust by rotating the mid pipes up until the desired clearance is maintained. Tighten the couplers at the collectors before the support is removed from the H-pipe.

17. Remove the jack stands and lower the car. Connect the battery and remove the wheel blocks.
18. Start the vehicle and check for leaks and loose hardware.
19. Check all hardware again after the first 150 miles of driving.

Enjoy your Black Heart Exhaust!

LIMITATION OF LIABILITY – DISCLAIMER:

The regulation of emissions production, noise levels, and safety standards is undertaken by the federal government, each of the fifty state legislatures, and by many local municipalities, towns, and counties.

HOOKER™ makes no warranties of merchantability, of fitness for particular purpose, or that its products are approved for general use, or that its products comply with laws, regulations, or ordinances in the state where they may be sold to the ultimate purchaser, the consumer.

Unless expressly stated to the contrary in the catalog, instruction sheet; or price list, the entire risk as to the conformity of any company product in any such state and as to repair should the product prove to be defective or non-conforming, is on the retail purchaser, the buyer, the ultimate consumer, of such product and it is not upon the seller, distributor, or manufacturer.

In this connection, the retail purchaser, the buyer, the ultimate consumer assumes the burden of the entire cost of any and all necessary service, alterations, or repair.

THE FOREGOING STATEMENT LIMITS THE LIABILITY OF THE MANUFACTURER.

California vehicle code, sections 27156 and 38391, prohibits the advertising, offering for sale, or installation of any device, which modifies a vehicle's emission control system, unless exempted, unless otherwise noted. HOOKER™ Headers that have not received an Executive Order (E.O.) exemption from these code sections are not legal for sale or use in California on vehicles originally equipped with catalytic converters, except for racing vehicles, which may never be driven upon a highway. Check with your local authorities to determine if these headers are legal for use in your particular area.

Technical Support: 1-866-464-6553

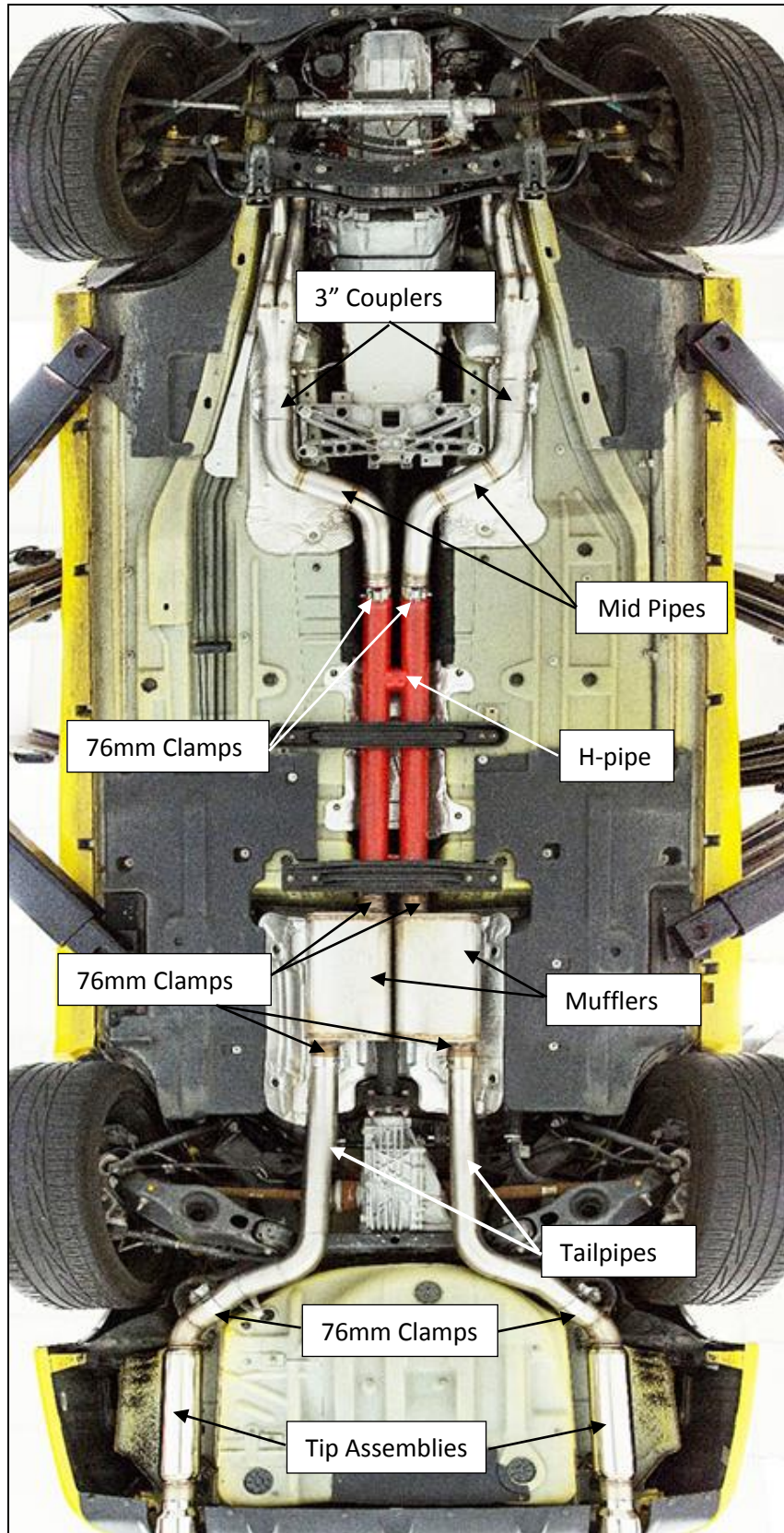


Figure 3

Technical Support: 1-866-464-6553