



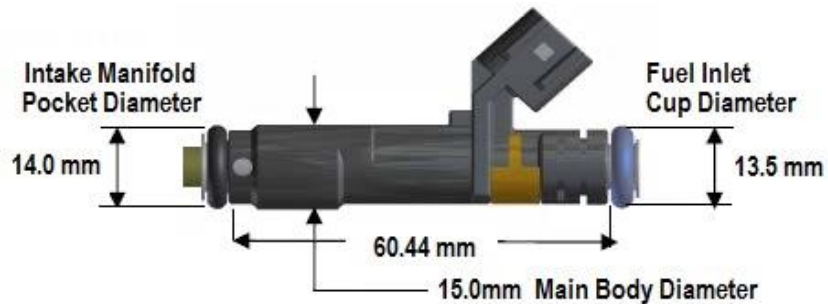
P/N 151148 & 151848 - 46 lb/hr DekA VII



Features:

Fuel Compatibility	Standard Gasolines & Ethanol Flex Fuels
Fuel Pressure	300 kPa
Static Flow Rate	n-Heptane: 5.8 g/sec (46 lb/hr, 508 cc)
Dynamic Flow Rate	n-Heptane: 13.35mg/pulse (2.5 ms PW, 20 ms Period)
Offset	0.2 ms
Minimum Linear PW	1.2 ms
Linear Flow Range (SAE)	9.63
Opening/Closing Time	1.15 / .75
Coil Resistance	12.0 •
Injector Inductance	6.5 mH
Minimum Operating Voltage	Calibration optimized against MOV requirements
Connector	USCAR
Spray Pattern	15° Cone
Installation Compatibility	Deka I / IV Long Installation Compatible
Identification Shell Color	Red

Basic Dimensions:



199R11426

Date: 10-19-17