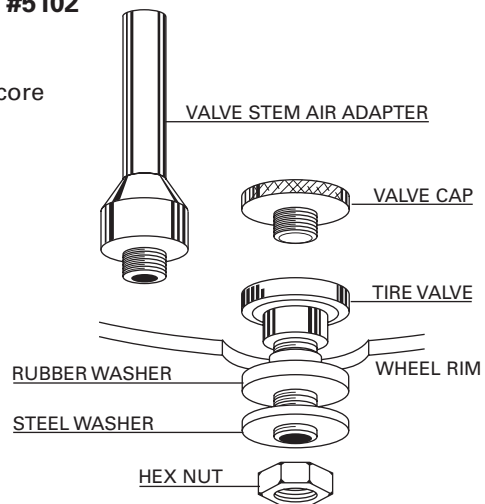




### Installation Instructions Flush Mount Tire Valve Part #5102

1. Insert tire valve into wheel with valve core facing outward (refer to illustration).
2. Slide rubber washer, steel washer and hex nut onto threaded end of tire valve and tighten hex nut securely.
3. To inflate tire, screw valve stem air adapter into tire valve and inflate to proper PSI. Remove valve stem air adapter, install valve cap and tighten securely.



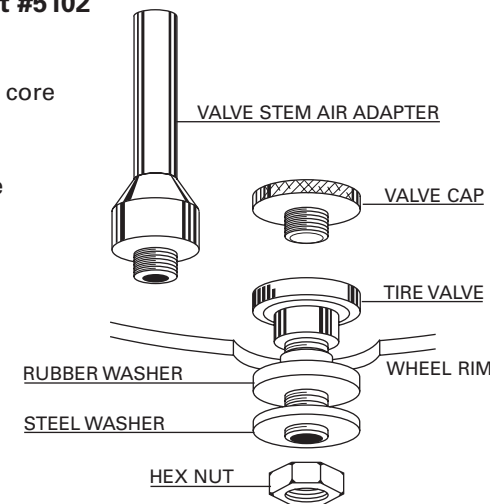
199R11545

The Mr. Gasket Performance Group  
www.holley.com



### Installation Instructions Flush Mount Tire Valve Part #5102

1. Insert tire valve into wheel with valve core facing outward (refer to illustration).
2. Slide rubber washer, steel washer and hex nut onto threaded end of tire valve and tighten hex nut securely.
3. To inflate tire, screw valve stem air adapter into tire valve and inflate to proper PSI. Remove valve stem air adapter, install valve cap and tighten securely.



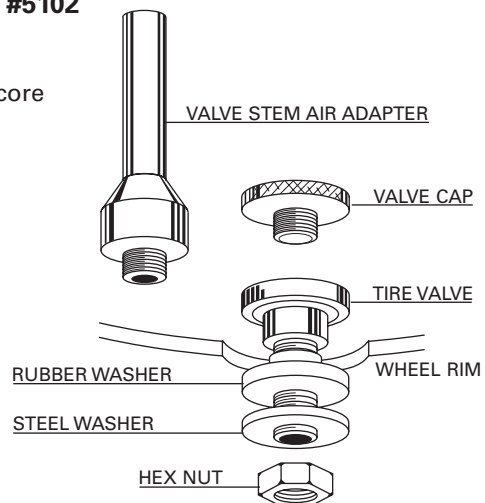
199R11545

The Mr. Gasket Performance Group  
www.holley.com



### Installation Instructions Flush Mount Tire Valve Part #5102

1. Insert tire valve into wheel with valve core facing outward (refer to illustration).
2. Slide rubber washer, steel washer and hex nut onto threaded end of tire valve and tighten hex nut securely.
3. To inflate tire, screw valve stem air adapter into tire valve and inflate to proper PSI. Remove valve stem air adapter, install valve cap and tighten securely.



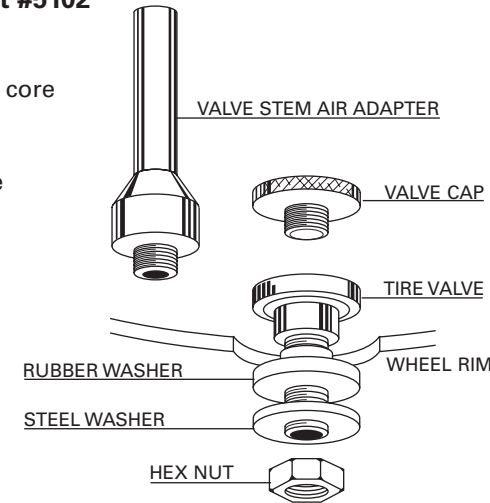
199R11545

The Mr. Gasket Performance Group  
www.holley.com



### Installation Instructions Flush Mount Tire Valve Part #5102

1. Insert tire valve into wheel with valve core facing outward (refer to illustration).
2. Slide rubber washer, steel washer and hex nut onto threaded end of tire valve and tighten hex nut securely.
3. To inflate tire, screw valve stem air adapter into tire valve and inflate to proper PSI. Remove valve stem air adapter, install valve cap and tighten securely.



199R11545

The Mr. Gasket Performance Group  
www.holley.com