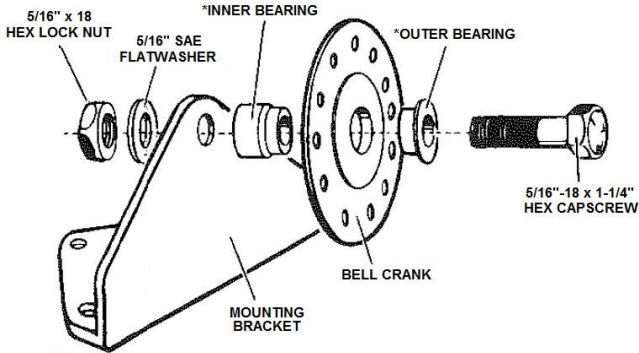




UNIVERSAL BELLCRANK KIT (w/ Mounting Bracket)
P/N 1523



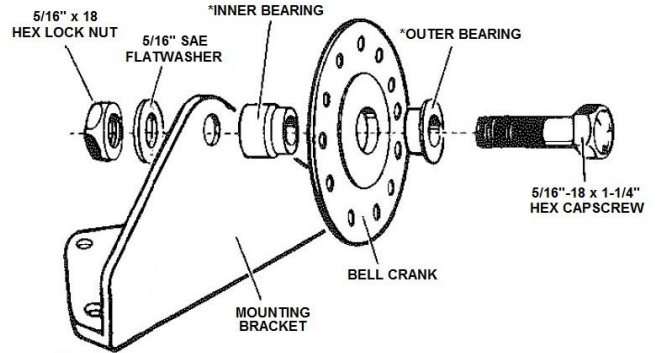
IMPORTANT! Lubricate bellcrank and both bearings with Permatex® anti-sieze lubricant or equivalent.

IMPORTANT! To prevent binding, avoid overtightening. Always check for freedom of movement after assembly of bellcrank.

199R11563



UNIVERSAL BELLCRANK KIT (w/ Mounting Bracket)
P/N 1523



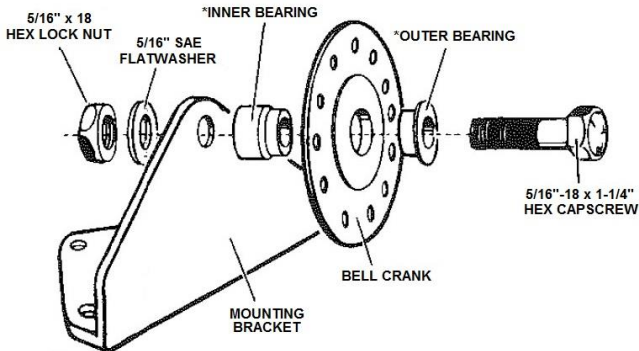
IMPORTANT! Lubricate bellcrank and both bearings with Permatex® anti-sieze lubricant or equivalent.

IMPORTANT! To prevent binding, avoid overtightening. Always check for freedom of movement after assembly of bellcrank.

199R11563



UNIVERSAL BELLCRANK KIT (w/ Mounting Bracket)
P/N 1523



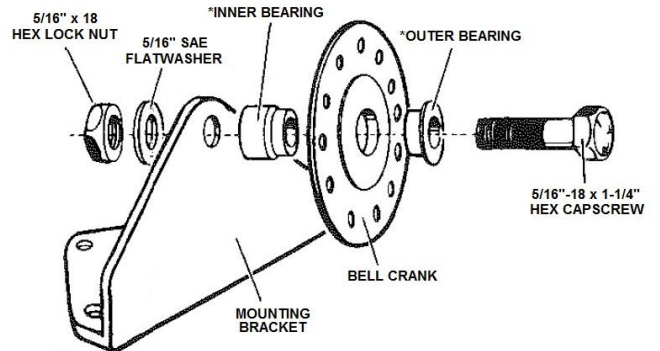
IMPORTANT! Lubricate bellcrank and both bearings with Permatex® anti-sieze lubricant or equivalent.

IMPORTANT! To prevent binding, avoid overtightening. Always check for freedom of movement after assembly of bellcrank.

199R11563



UNIVERSAL BELLCRANK KIT (w/ Mounting Bracket)
P/N 1523



IMPORTANT! Lubricate bellcrank and both bearings with Permatex® anti-sieze lubricant or equivalent.

IMPORTANT! To prevent binding, avoid overtightening. Always check for freedom of movement after assembly of bellcrank.

199R11563