



P/N 7410HKR (painted) & 7410-1HKR (ceramic)
HOOKER COMPETITION HEADERS
1975-90 Ford Van/Motorhome

Thank you for making HOOKER HEADERS your choice in a high-performance exhaust system. Extensive dyno/track testing has enabled HOOKER to offer the most advanced design in exhaust systems. The installation, while not complex, will take a certain amount of time. However, the additional horsepower and improved performance will more than justify your efforts. Proper installation and maintenance will ensure long life and maximum performance from your HOOKER HEADER exhaust system.

WARNING! Breaking in an engine with ceramic-coated headers WILL result in damage to the coating and will VOID all warranties. Ceramic-coated headers require several heat cycles to fully cure before they will withstand extreme heat. HOOKER recommends using a cast-iron exhaust manifold or an old header to break in new engines to avoid coating damage.

BEFORE STARTING

Your vehicle must be raised a minimum of 36 inches. A floor hoist is ideal. If no hoist is available, we strongly urge the use of axle stands as a safety measure. **CAUTION! YOUR CAR SHOULD NOT BE SUPPORTED ON A BUMPER JACK.**

INSTALLATION PROCEDURE: PLEASE READ CAREFULLY

LEFT SIDE:

1. Disconnect the battery to prevent damage to the electrical system.
2. Unbolt stock headpipe from exhaust manifold and push aside.
3. Remove spark plugs and stock exhaust manifold.
4. Starting from below, work header up through chassis into place over exhaust ports.
5. Replace clutch linkage. Position flange gasket and start all bolts (most restricted first).
NOTE: 1975 Vans – Use short stock bolt (with purchased large flat washer) in front flange hole to remount dipstick tube. See Figure A.
6. Tighten all header bolts evenly. Replace spark plugs.

RIGHT SIDE:

1. Unbolt stock headpipe, push aside, and remove stock exhaust manifold.
2. Remove starter cable (early models – remove dipstick tube).
3. Starting from under van (behind bellhousing), work header up through all chassis components into place over exhaust ports.
4. Position header gasket and start all bolts (most restricted first).
5. If dipstick tube was removed, replace it according to Figure B.
6. Tighten all header bolts evenly. Replace spark plugs.
7. If equipped with automatic choke, connect choke tube to fitting on R4 header tube. See Figure C.
8. To connect collectors to your existing exhaust system, purchase Hooker reducer P/N 11025HKR. Position gasket and bolt reducer to collector.
9. Connect battery, start engine, and check for leaks. Be sure that all brake lines, fuel lines, and electrical wires have sufficient clearance.

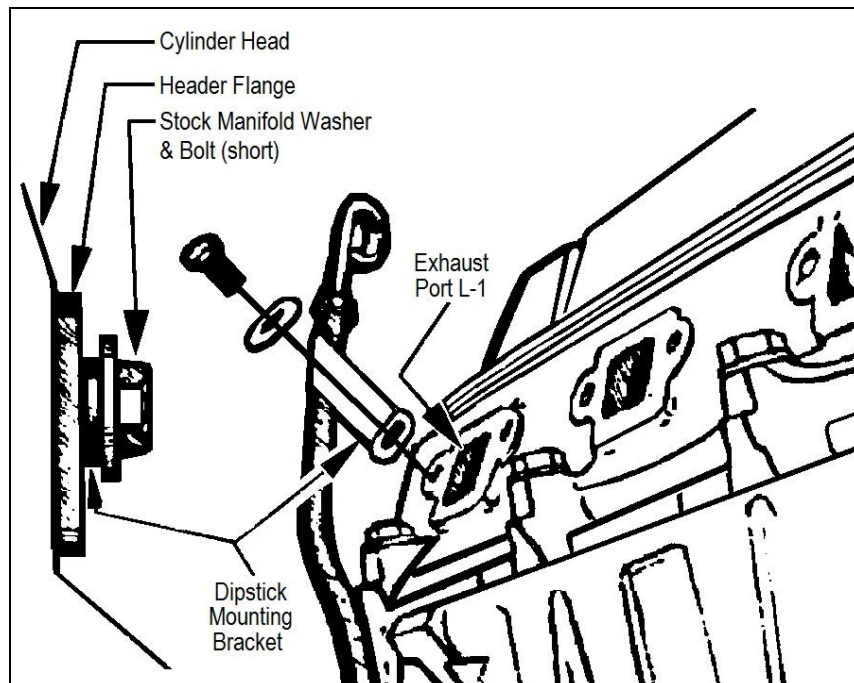


Figure A

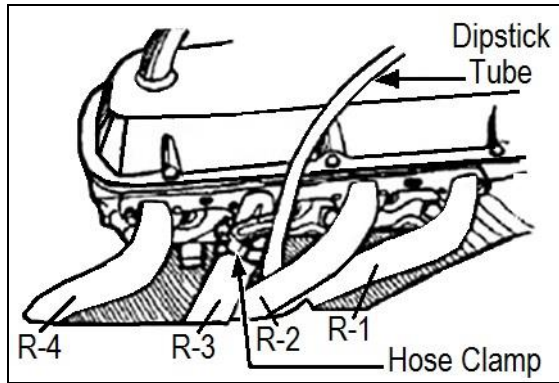


Figure B

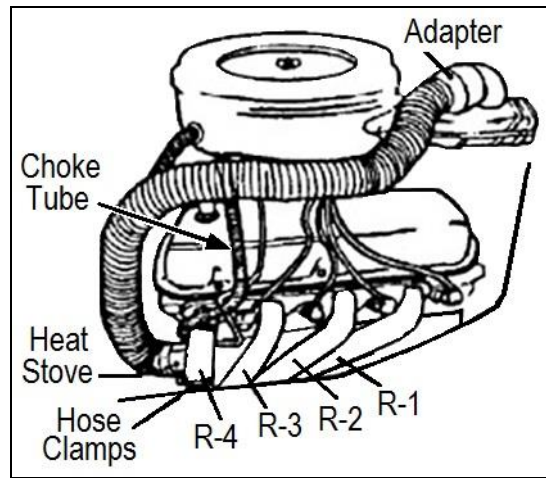


Figure C

Any questions? Please contact Technical Service: 1-866-464-6553 or 270-781-9741. For online help, please refer to the website: www.holley.com.

LIMITATION OF LIABILITY – DISCLAIMER:

The regulation of emissions production, noise levels, and safety standards is undertaken by the federal government, each of the fifty state legislatures, and by many local municipalities, towns, and counties.

HOKKER makes no warranties of merchantability, of fitness for particular purpose, or that its products are approved for general use, or that its products are approved for general use, or that its products comply with laws, regulations, or ordinances in the state where they may be sold to the ultimate purchaser, the consumer.

Unless expressly stated to the contrary in the catalog, instruction sheet; or price list, the entire risk as to the conformity of any company product in any such state and as to repair should the product prove to be defective or non-conforming, is on the retail purchaser, the buyer, the ultimate consumer, of such product and it is not upon the seller, distributor, or manufacturer.

In this connection, the retail purchaser, the buyer, the ultimate consumer assumes the burden of the entire cost of any and all necessary service, alterations, or repair.

THE FOREGOING STATEMENT LIMITS THE LIABILITY OF THE MANUFACTURER.

California vehicle code, sections 27156 and 38391, prohibits the advertising, offering for sale, or installation of any device, which modifies a vehicle's emission control system, unless exempted, unless otherwise noted. HOKKER™ Headers that have not received an Executive Order (E.O.) exemption from these code sections are not legal for sale or use in California on vehicles originally equipped with catalytic converters, except for racing vehicles, which may never be driven upon a highway. Check with your local authorities to determine if these headers are legal for use in your particular area.

199R11834

Date: 5-2-19