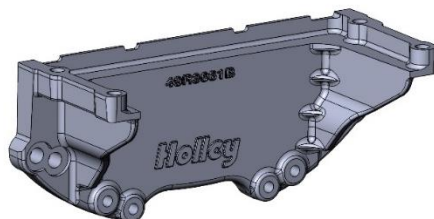




## HOLLEY® Gen. 3 Hemi, Transmission Lower Structural Support Installation Instructions Part Number: 302-65



**NOTE:** Read all instructions carefully before attempting the installation.

### APPLICATIONS:

- Engines – All Hemi, Gen. 3

### Swap Applications

- Oil Pans
  - Holley Mid-sump (302-60, 302-61, and 302-64)
  - NOTE: Not required for Holley Rear Sump Applications
- Transmissions
  - Chrysler 8HP70, 8HP90, NAG1, 46RE, 545RFE, 727
  - TR6060 (w/ Dodge Bellhousing)
  - T56 (w/ Lakewood PN LK7100K)
  - TKX (w/ Lakewood PN LK7200)
  - TKO (w/ Lakewood PN LK7000)

### OE Applications

- 2002 – Present, Ram 1500, 2500, 3500 5.7L Gas
- O.E. Oil Pans (53021334AF and 4893207AA)

### PARTS INCLUDED:

- 1 – Transmission Lower Structural Support
- 2 – M10 x 1.5 x 30 Socket Head Cap Screw (Bracket-to-Transmission)
- 4 – M10 x 1.5 x 35 Socket Head Cap Screw (Bracket-to-Block)

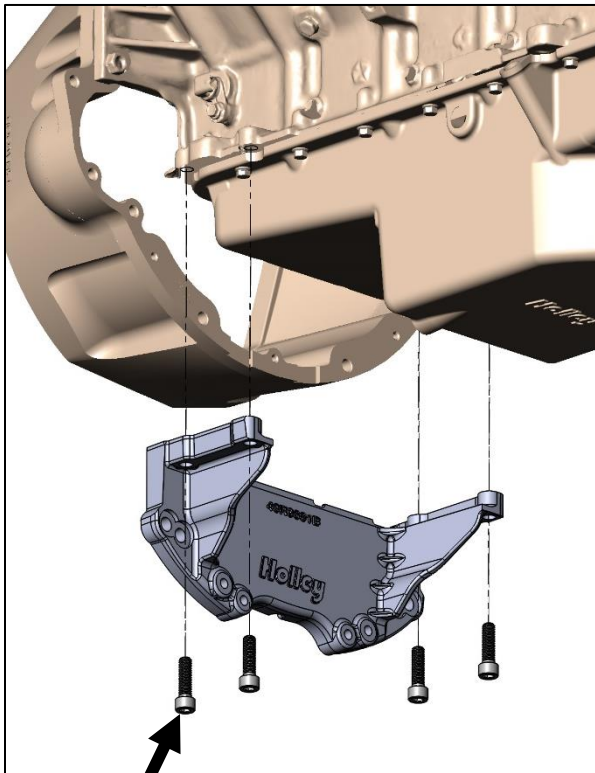
### RECOMMENDED TOOLS:

In./Lb. & Ft./Lb. Torque Wrench	8mm Hex Driver	3/8" or 1/2" Ratchets
3/8" or 1/2" x 6" Extension	Jack Stands	Floor Jack

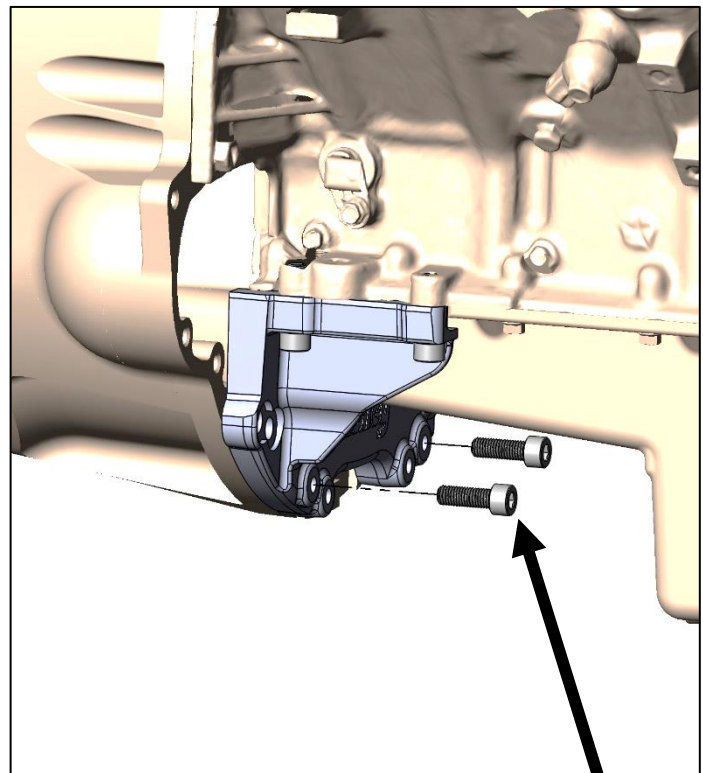
**CAUTION:** The structural dust cover must be held tightly against both the engine and the transmission bell housing during the tightening sequence. Failure to do so may cause severe damage to the cover.

**INSTALLATION:**

1. Position the structural dust cover in the vehicle.
2. Install all four bolts retaining the structural dust cover to the engine hand tight.
3. Install the two cover-to-transmission bolts hand tight.
4. Tighten the structural dust cover-to-transmission bolts to 80 in./lbs.
5. Tighten the structural dust cover-to-engine block bolts to 80 in./lbs.
6. Retighten the structural dust cover-to-transmission bolts to 40 ft./lbs.
7. Retighten the structural dust cover-to-engine block bolts to 40 ft./lbs.
8. Lower the transmission onto the crossmember and remove the jack.



**M10 x 35 SCHS**



**M10 x 30 SCHS**

Technical Support: **1-866-464-6553** or **1-270-781-9741**.  
For online help, please go to **www.holley.com**.

© 2021 HOLLEY. All rights reserved. Tous Droits Réservés.

**199R12157**  
**Date: 8-13-21**