



**Plenum Lid – 300-657 & 300-657BK  
Chrysler Gen 3 Hemi Throttle Valves**

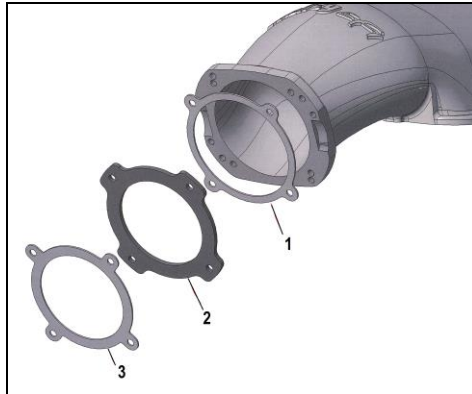
**Parts List:**

1. Gasket, Sealing Plate
2. Plate, Hemi 80mm Throttle Sealing
3. Gasket, Hemi 80mm Throttle Valve
4. Gasket, Hemi 92mm Throttle Valve (not shown)

**Application:**

The parts shown below are needed for proper sealing when using a Hemi 80mm throttle valve with your Hi-Ram Plenum Top.

When using a 92mm throttle valve, only the included gasket for the 92mm valves is needed.



199R12251

Date: 3-18-21



**Plenum Lid – 300-657 & 300-657BK  
Chrysler Gen 3 Hemi Throttle Valves**

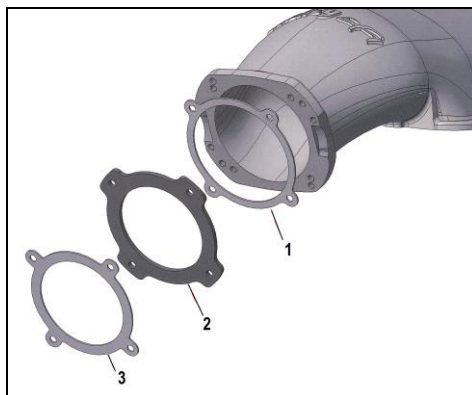
**Parts List:**

1. Gasket, Sealing Plate
2. Plate, Hemi 80mm Throttle Sealing
3. Gasket, Hemi 80mm Throttle Valve
4. Gasket, Hemi 92mm Throttle Valve (not shown)

**Application:**

The parts shown below are needed for proper sealing when using a Hemi 80mm throttle valve with your Hi-Ram Plenum Top.

When using a 92mm throttle valve, only the included gasket for the 92mm valves is needed.



199R12251

Date: 3-18-21