



## Muscle Car Module 350LPH Upgrade Kit

P/N 12-391

**NOTE: Please read all instructions before proceeding with the installation of your new drop in fuel cell pump hanger. Failure to follow these instructions may result in poor performance, vehicle damage, personal injury, or death. If these instructions are not fully understood an installation should not be attempted. In this case please contact Holley's tech service department or a qualified mechanic.**

Parts Included:	
Qty.	Description
1	350 LPH Pump
1	Replacement HydraMat
1	Bag of Clamps

1. Make note of the orientation of the pump on the hanger.
2. Remove the Oekiter clamp retaining the old 255 LPH pump to the rubber section of the outlet hose. This is the clamp closest to the pump.



3. Remove the electrical connector to the pump. The connector has a lock that needs to be depressed while removing the connector. This is most easily done with a small flat blade screwdriver.



4. Remove the old pump from the unit.



5. Install the outlet barb of the new 350LPH pump into the rubber section of the outlet tube and rotate to match orientation noted in step 1.
6. Reconnect electrical connector to the new pump. An audible click of the lock engaging should be heard when the connector is fully seated.
7. Retain the pump to the outlet barb with one of the included clamps.



## WIRING:

**WARNING!** USE A MINIMUM OF 12 GAUGE WIRE. BE SURE TO CRIMP OR SOLDER ALL CONNECTORS SECURELY AND CLEAN ANY AREA WHERE GROUND LEADS WILL BE FASTENED. FAILURE TO USE THE MINIMUM WIRE GAUGE COULD RESULT IN PUMP MALFUNCTION AND/OR ELECTRICAL FIRE, RESULTING IN PROPERTY DAMAGE, SERIOUS INJURY, AND/OR DEATH.

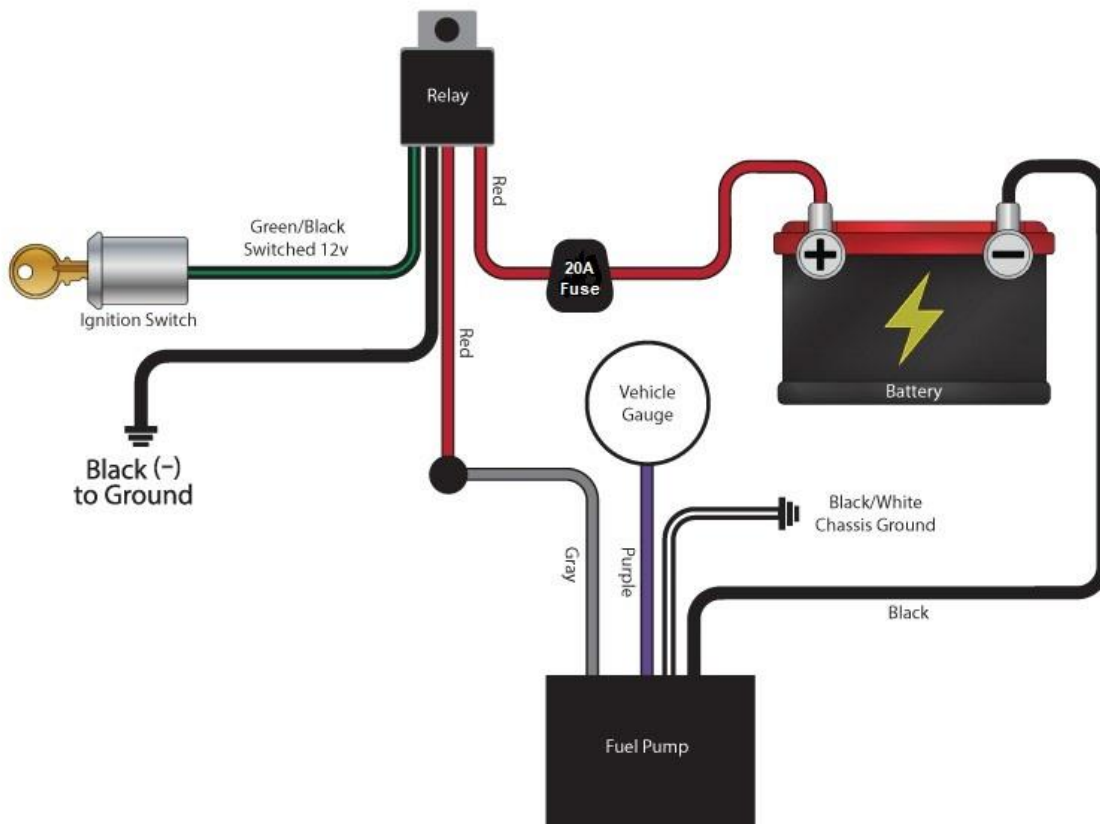
1. Disconnect the cables from the battery.
2. Mount relay/relays in convenient location away from exhaust heat.
3. A 20A fuse must be run between the red wire that runs between the battery and the relay harness.

**NOTE:** Wire colors correspond to Holley P/N 12-753. The 12-753 comes with a 15A fuse. The 20A fuse must be purchased separately.

4. Plug the fuel pump relay harness into the relay, until it locks into place.
5. Connect the black wire of the harness to ground.

**NOTE:** Be sure to route all electrical wires clear of any moving suspension or drivetrain components and any exhaust components! Protect wires from abrasion and road obstructions or debris.

**WARNING!** IT IS IMPERATIVE THAT A 20A FUSE BE INSTALLED ON THE WIRE THAT GOES BETWEEN THE RELAY WIRING HARNESS AND THE BATTERY. FAILURE TO INSTALL THIS 20A FUSE COULD RESULT IN A PUMP MALFUNCTION AND/OR ELECTRICAL FIRE, RESULTING IN PROPERTY DAMAGE, SERIOUS INJURY, AND/OR DEATH.



### Plumbing Note:

If connecting to factory vehicle fuel hard lines, make sure that any rubber hose and clamps used are rated for EFI Pressures.

**199R12269**  
**Revision Date: 9-7-21**