



High Cap Universal Fuel Pressure Regulator

P/N 19-392

Read and understand these instructions **BEFORE** attempting to install this product.

- Do not smoke while working on the fuel system.
- Keep open flames or sparks away from your work area.
- Be sure to relieve fuel pressure before beginning the installation.

KIT CONTENTS:

Quantity	Description
1	Universal Pressure Regulator
1	Bracket, Universal Pressure Regulator
4	Screw, Flat Head Cap 10-32x1/2"

OPTIONAL FITTINGS:

Earl's Part Number	Description
AT985006ERL	-6 Male AN to 9/16"-18 Male ORB (O-Ring Boss)
AT985086ERL	-8 Male AN to 9/16"-18 Male ORB (O-Ring Boss)

INSTALLATION & ADJUSTMENT:

WARNING! Due to the differences on vehicle fuel pressure on different applications, it is ***highly recommended*** that you adjust the fuel pressure on your vehicle. All adjustments of the pressure regulator will be explained in a later portion of the instructions.

Installation:

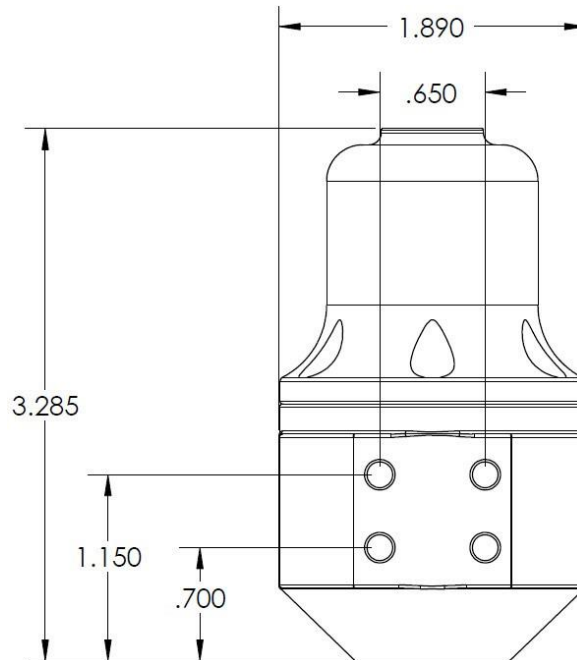
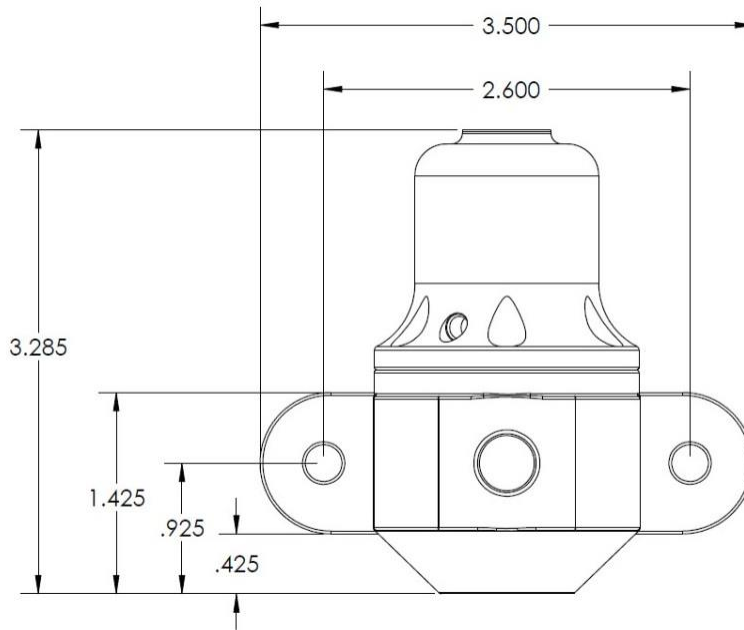
1. The universal fuel pressure regulator is designed with the mounting bracket as a bolt-on component to the regulator body. If you desire, the regulator can be bolted directly to the car using the four threaded holes at the back of the regulator, which are tapped with a 10-32 thread.
 - a. Install the mounting bracket to the regulator using the (x4) supplied Allen head screws.
 - b. Mount the fuel regulator on a flat surface.
 - c. The diameter of the mounting holes on the bracket are 1/4". On the last page of the instructions will be a mounting template, which should be used to mount the fuel regulator.
2. The two inlet ports are tapped with a 9/16-18 thread for use with O-ring fittings. The fuel pressure gauge port is tapped with a 1/8-27 NPT.
3. The outlet port is located at the bottom of the fuel pressure regulator. It has a 9/16"-8 thread for use with O-ring fittings.
4. Connect the vacuum hose to the top of the fuel pressure regulator (Hose size is a 3/16" or 5 mm).
5. Connect the negative battery terminal.
6. Turn the ignition or fuel pump switch to the ON position for approximately two seconds. **Do not operate the starter.** Then, turn the ignition switch to the OFF position.

Adjustment:

NOTE: The adjustable fuel pressure regulator can be fine-tuned for your application. These adjustments will be covered in this section. A fuel pressure gauge needs to be used for precise tuning.

1. When fuel pressure adjustments are to be made, loosen the jam nut on the top of the fuel pressure regulator and either tighten or loosen the set screw.
 - a. When loosening the jam nut, a 7/16" wrench should be used.
 - b. When tightening or loosening the set screw, a 1/8" Allen key should be used.
 1. To increase fuel pressure, turn the set screw in a clockwise rotation.
 2. To decrease fuel pressure, turn the set screw in a counter-clockwise rotation.

Drawings:



Technical Support: 1-866-464-6553
Phone: 1-270-781-9741
www.holley.com

© 2022 Holley Performance Products, Inc. All rights reserved. Tous Droits Réservés.

199R12442
Date: 8-4-22