



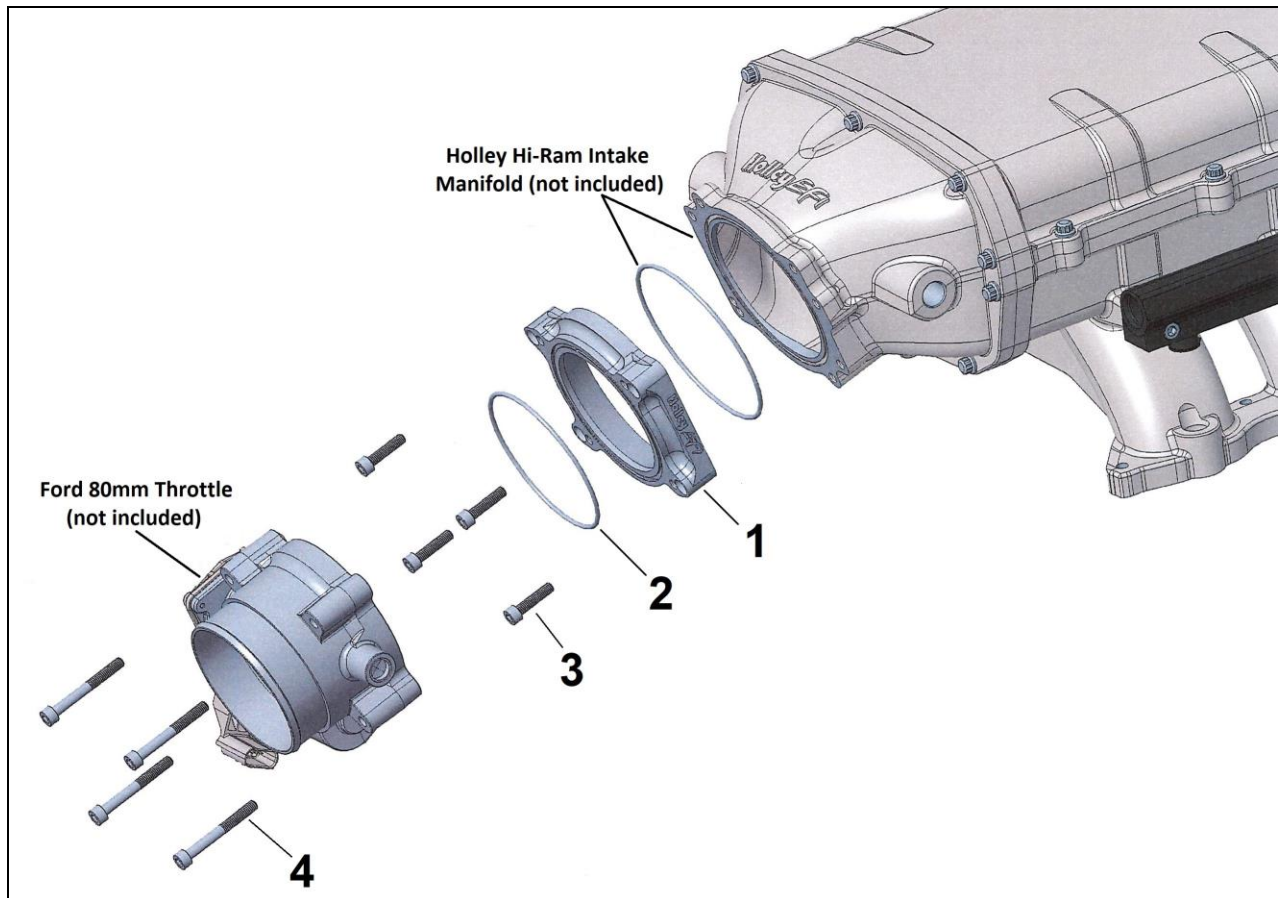
717-18 Holley Hi-Ram Throttle Body Adapter For Ford OEM Throttles on 2011 & Up (5.0L Engines)

PRODUCT DESCRIPTION:

This adapter is designed to allow a Ford 80mm throttle body from 2011 and up 5.0L engines to be used with Holley 300-912, 300-912BK, 300-925 or 300-925BK intake manifolds.

INSTALLATION KIT CONTENTS:

Item	Qty.	Description
1	1	Throttle Body Adapter
2	1	O-Ring Seal
3	4	Socket Head Cap Screw (M6 x 25mm long)
4	4	Socket Head Cap Screw (M6 x 50mm long)



INSTALLATION INSTRUCTIONS:

1. Apply silicone lubricant to the O-ring seal and install into the groove of the throttle body adapter.
2. Attach the throttle body adapter to the intake manifold with the 25mm long screws. Torque screws in 2 stages. Stage 1 – torque to 90 inch-pounds. Stage 2 – tighten an additional 45 degrees.
3. Attach the throttle body to the adapter with the 50mm long screws. Torque screws in 2 stages. Stage 1 – torque to 90 inch-pounds. Stage 2 – tighten an additional 45 degrees.

199R12323

Date: 9-30-21