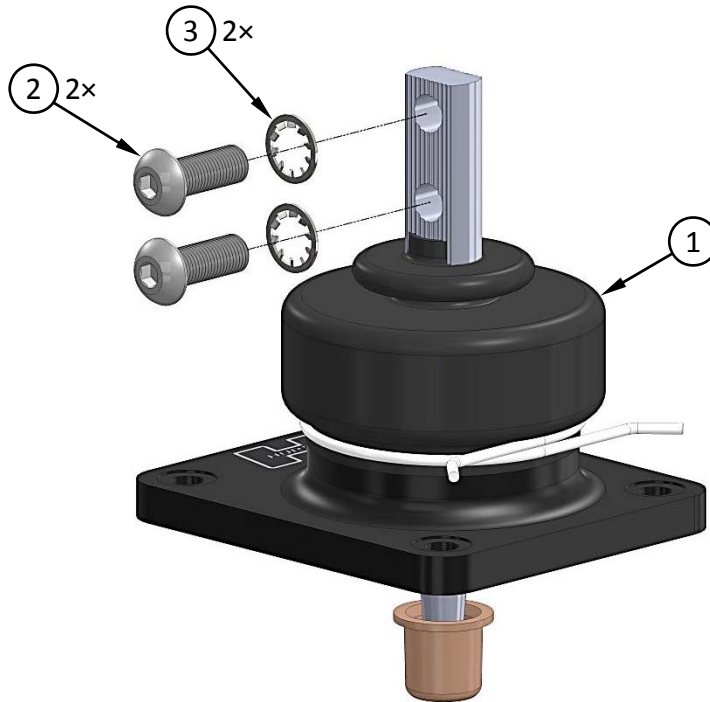




Installation Instructions for Catalog # 3916045
BLACKJACK SHIFTER
1982-1995 CHEVROLET S10 / GMC S15
BORG-WARNER T-5 MANUAL TRANSMISSION



ITEM NO.	PART NO.	DESCRIPTION	QTY.
1	N/A (SHIPS ASSEMBLED)	SHIFTER ASSEMBLY	1
2	2158808	SCREW, 3/8-24 × 1", BUTTONHEAD CAP	2
3	2673533	WASHER, 3/8" DIA INTERNAL LOCK	2

Thank you for purchasing the Hurst Blackjack Shifter. This short throw stub stick shifter is designed to install any Hurst shift stick on Borg-Warner T-5 transmissions found on Chevrolet S10 / GMC S15 pickup trucks, model years 1982-1995.

BEFORE STARTING: Installation of the Hurst Blackjack Shifter requires moderate mechanical ability. Take a moment to read and thoroughly understand these instructions before installing your Hurst shifter.

INSPECT! Prior to installation, use the parts drawing and list to verify your kit's contents. Also, ensure that all parts are free of defects and blemishes. Every effort has been made to ensure that your kit is delivered in perfect condition. However, Hurst Shifters will not accept returns for cosmetic defects after installation has begun. In the unlikely event of missing or defective parts, please contact Hurst Technical Support for replacements.

WORK SAFELY! TURN OFF YOUR VEHICLE'S IGNITION AND SET THE PARKING BRAKE BEFORE STARTING.

REQUIRED MATERIALS: RTV silicone sealant (Loctite 598 or similar); thread locking compound (Loctite Blue 242 or similar).

HURST FLAT & ROUND BAR BOLT-ON SHIFTER STICKS

The Hurst Blackjack Shifter for the Borg-Warner T-5 Chevy/GM transmission accommodates any Hurst bolt-on shifter stick. These sticks are available in a variety of configurations for installations where particular heights or offsets are required.

Hurst bolt-on sticks are constructed from high-strength, chrome-plated steel and are stamped with the Hurst name. And their 3/8-16 threads accept most popular Hurst T-handles and shifter knobs.

For diagrams of available Hurst shifter sticks, go to www.hurst-shifters.com and click on the “Downloads” tab.

The image shows a screenshot of the Hurst website. On the left, a table lists various shifter parts with their descriptions and download links for installation and warranty files. A red banner above the table says "CLICK HERE FOR A LIST OF STICK DIAGRAMS, SHIFTER ASSEMBLY DIAGRAMS AND TRANSMISSION". On the right, a section titled "Hurst Stick Diagrams" is divided into two columns: "Hurst Flat Bar Shifter Stick Diagrams" and "Hurst Round Bar Shifter Stick Diagrams". Each column contains several technical drawings of different shifter stick configurations with their respective part numbers and application notes. Below each diagram column is a "Download" button.

Part #	Description	Download File
991800	Transmission Lever - Service Part for Quarter Stick Shifter - GM	Download File
991801	Transmission Lever, Steel, Buick, Chevy, Oldsmobile & Pontiac	Download File
991804	Transmission Lever, Steel, Torqueflite T27	Download File
991806	Transmission Lever, Steel, Powerglide	Download File
1140910	Super Shifter 3 Bolt and Plate - Chrome	Download File
1140921	Shifter Accessory, Sillert Bolt Support	Download File
1144580	Shifter Boot, S-4 Bolt and Plate	Download File
1147226	S-4 Shifter Boot and Plate	Download File

DISASSEMBLY



1. Put the transmission in NEUTRAL. Remove the four shifter bolts. Use a suitable knife to break the sealant bond between the shifter and the mount pad, then remove the shifter

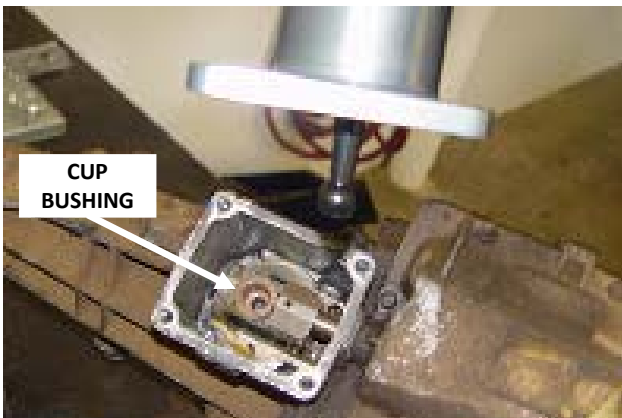


2. Scrape old sealant from the shifter mount pad, then wipe with brake cleaner. **NOTE: Work carefully to prevent any debris from falling into the transmission.**

ASSEMBLY



3. Apply a 1/8" bead of RTV silicone sealant around the shifter mount pad, circling the bolt holes.



4. Place the shifter's cup bushing into the offset lever. Then guide the shift rod ball into the bushing and place the shifter (1) on the pad.



5. Reinstall the shifter bolts and tighten evenly to 12-15 ft-lbs torque.



6. Apply a drop of thread locking compound to each screw (2). Then use the screws and lockwashers (3) to assemble your Hurst stick (see page 3) to the shifter, crushing the washers completely.
NOTE: The lockwashers are single-use only; replace them if the stick is ever removed from the shifter.

IMPORTANT: RETAIN THESE INSTRUCTIONS FOR FUTURE REFERENCE

Hurst Shifters maintains a highly-trained technical service department to answer your technical questions, provide additional product information and offer various recommendations.

Direct all correspondence and warranty questions to:

Hurst Shifters
100 Stony Point Rd.
Suite 125
Santa Rosa, CA 95401

Hurst Technical Service: (707) 544-4761
Monday – Friday: 7:30 am to 5:00 pm Pacific Time
(Closed Saturday and Sunday)

