



INSTALLATION INSTRUCTIONS

MSD Universal Motorcycle Trigger Pickups PN 42306

IMPORTANT: Read these instructions before attempting the installation!

CAUTION: This pickup assembly is for use with an MSD Motorcycle Ignition **only**.
Do Not connect directly to coils or failure of the pickup will result.

Parts Included In This Kit

2 - Trigger Pickups

1 - Magnet

1 - Parts Bag

WARNING: During installation, disconnect the battery cables. When disconnecting the battery, always remove the Negative cable first and install it last.

Note: The MSD Motorcycle Trigger Pickup will eliminate all timing advance functions unless used with a mechanical advance mechanism.

The Universal Motorcycle Triggers can be used with the MSD MC-3 or MC-4 Ignition Controls. The triggers are supplied with the wiring harness, mounting screws and magnet.

FABRICATION REQUIRED

This is a universal kit so a mounting plate and rotor will need to be fabricated. In most cases, the two pickups need to be mounted 180° apart. The magnet will need to be installed to the rotor in line with the pickups.

WIRING

Clean, well crimped or soldered connections ensure reliable operation of the ignition system. Before making any connections, inspect all wires and their routing. Figure 1 shows the proper connections for the MSD Trigger Pickup Assembly.

Trigger Pickups	4 Pin Connector
Red	+12V to Trigger Pickups
Black	Ground to Trigger Pickups
White (Coil 1)	This wire connects to Channel #1 of the ignition.
Blue (Coil 2)	This wire connects to Channel #2 of the ignition.

SETTING THE TIMING

In order to set your timing your mounting plate will have to have slots in order to rotate the plate clockwise or counterclockwise. In most cases moving the plate counterclockwise advances the timing and clockwise retards the timing. This will also depend on the rotation of your engine. The pickups are also slotted to equalize timing between cylinders.

MAGNET

Note: The rotor must be made out of aluminum.

In the rotor that was fabricated a hole will have to be drilled approximately 1/4" in diameter and 1/4" in depth. The magnet should sit flush with the outer diameter of the rotor, with marked side of the magnet facing out. To secure the magnet in place use JB Weld or equivalent epoxy.

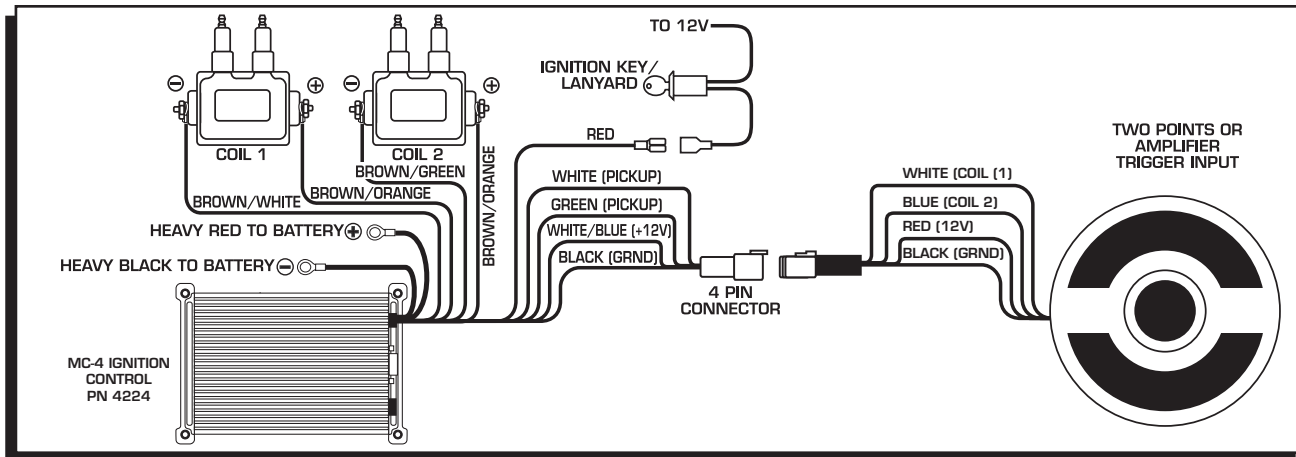


Figure 1 Wiring the MSD Trigger Pickup.

Service

In case of malfunction, this MSD component will be repaired free of charge according to the terms of the warranty. When returning MSD components for warranty service, **Proof of Purchase** must be supplied for verification. After the warranty period has expired, repair service is based on a minimum and maximum fee.

All returns must have a Return Material Authorization (RMA) number issued to them before being returned. To obtain an RMA number please contact MSD Customer Service at 1 (888) MSD-7859 or visit our website at www.msdpower.com/rma to automatically obtain a number and shipping information.

When returning the unit for repair, leave all wires at the length in which you have them installed. Be sure to include a detailed account of any problems experienced, and what components and accessories are installed on the vehicle. The repaired unit will be returned as soon as possible using Ground shipping methods (ground shipping is covered by warranty). For more information, call MSD at (915) 855-7123. MSD technicians are available from 7:00 a.m. to 5:00 p.m. Monday - Friday (mountain time).

Limited Warranty

MSD warrants this product to be free from defects in material and workmanship under its intended normal use*, when properly installed and purchased from an authorized MSD dealer, for a period of one year from the date of the original purchase. This warranty is void for any products purchased through auction websites. If found to be defective as mentioned above, it will be repaired or replaced at the option of MSD. Any item that is covered under this warranty will be returned free of charge using Ground shipping methods.

This shall constitute the sole remedy of the purchaser and the sole liability of MSD. To the extent permitted by law, the foregoing is exclusive and in lieu of all other warranties or representation whether expressed or implied, including any implied warranty of merchantability or fitness. In no event shall MSD or its suppliers be liable for special or consequential damages.

*Intended normal use means that this item is being used as was originally intended and for the original application as sold by MSD. Any modifications to this item or if it is used on an application other than what MSD markets the product, the warranty will be void. It is the sole responsibility of the customer to determine that this item will work for the application they are intending. MSD will accept no liability for custom applications.