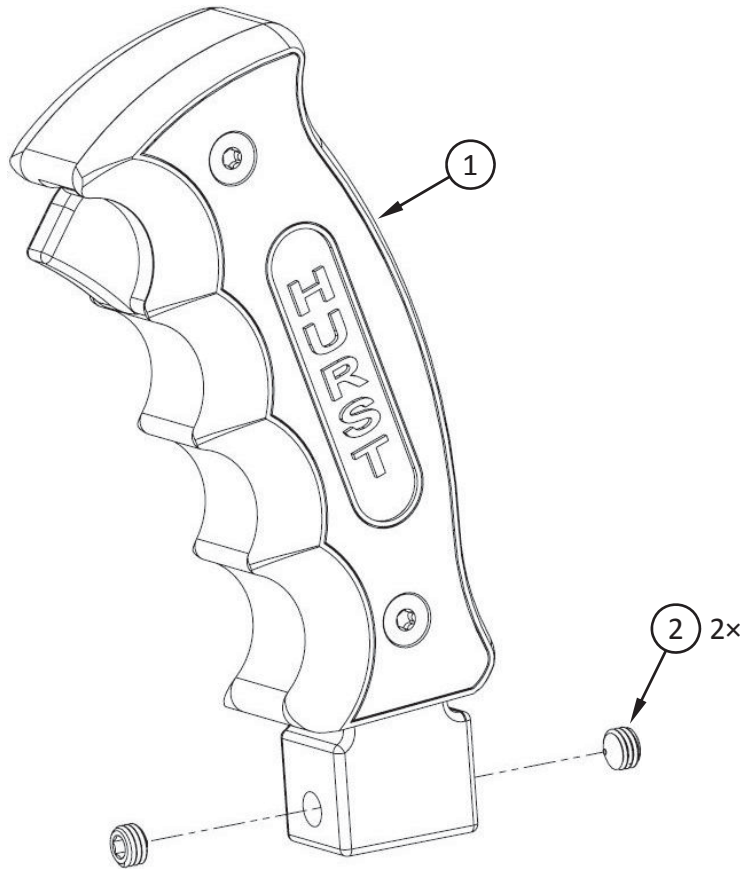




**INSTALLATION INSTRUCTIONS FOR**  
**5380441**  
**BILLET/PLUS® PISTOL-GRIP SHIFTER HANDLE**  
**for 2014-2018 CHEVROLET CORVETTE**  
**with AUTOMATIC TRANSMISSION**



ITEM NO.	PART NO.	DESCRIPTION	QTY.
1	N/A (SHIPS ASSEMBLED)	PISTOL-GRIP SHIFTER HANDLE	1
N/A	2380441	• BODY, BILLET PLUS AUTO HANDLE, CORVETTE	1
	3350431	• TRIGGER, UPPER, NITRO AUTO	1
	2030431	• TRIGGER, LOWER, NITRO AUTO	1
	1301002	• COVER, INNER, NITRO AUTO	1
	97003153	• SCREW, TORX, 8-32 × 1/4" L	3
	4048658	• GRIP PLATE, PISTOL AUTO, LEFT *BLACKWOOD*	1
	4048659	• GRIP PLATE, PISTOL AUTO, RIGHT *BLACKWOOD*	1
	97003154	• SCREW, TORX, 8-32 × 1/2" L	2
2	3401544	SET SCREW, CONE POINT, 1/4-28 × 3/16" L	2
N/A	5000116	CABLE TIE, 6" (NOT SHOWN)	1



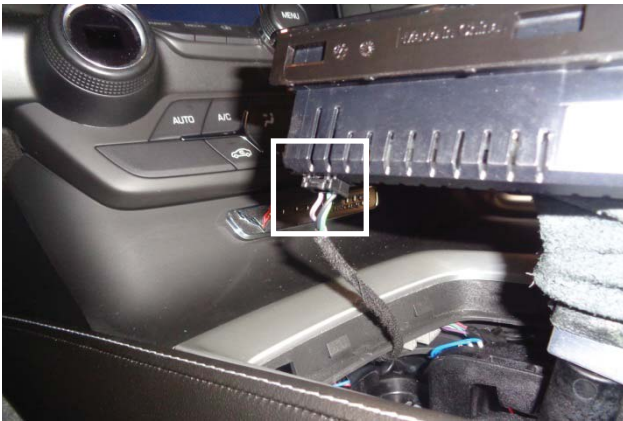




13. Tighten the set screws. (Pull the shifter back to reach the front screw, if required.)



**Congratulations, the installation of your Hurst Billet/Plus Pistol Grip Shifter is now complete!**



14. Connect the electrical plug to the bezel.

**IMPORTANT: RETAIN THESE INSTRUCTIONS FOR FUTURE REFERENCE**

**Hurst Technical Service: (707) 544-4761**

Hurst Shifters maintains a highly-trained technical service department to answer your technical questions, provide additional product information and offer various recommendations.

Direct all correspondence and warranty questions to:

**Hurst Shifters**  
100 Stony Point Rd.  
Suite 125  
Santa Rosa, CA 95401



15. Snap the bezel back into the center console.

