

MSD INSTALLATION INSTRUCTIONS

Billet Hold Down Clamp, Ford PN 8010

ONLINE PRODUCT REGISTRATION: Register your MSD product online and you'll be entered in our monthly 8.5mm Super Conductor Spark Plug Wire give-away! Registering your product will help if there is ever a warranty issue with your product and helps the MSD R&D team create new products that you ask for! Go to www.msperformance.com/registration.

Parts Included

- 1 - Billet Clamp
- 1 - 5/16" - 18 x 1.75" set screw
- 1 - 5/16" - 18 nut
- 1 - 5/16" Lock Washer
- 1 - 5/16" Flat Washer

INSTALLATION

1. Install the set screw into the block using a 5/32" Allen wrench.
2. Install the Billet Clamp, flat washer, lock washer and the nut on the set screw.
3. With the housing in the correct timing position, tighten the nut. Figure 1 shows the correct installation of the clamp. If the clamp is excessively angled and the end points of the clamp do not properly seat, the clamp will not tighten properly.

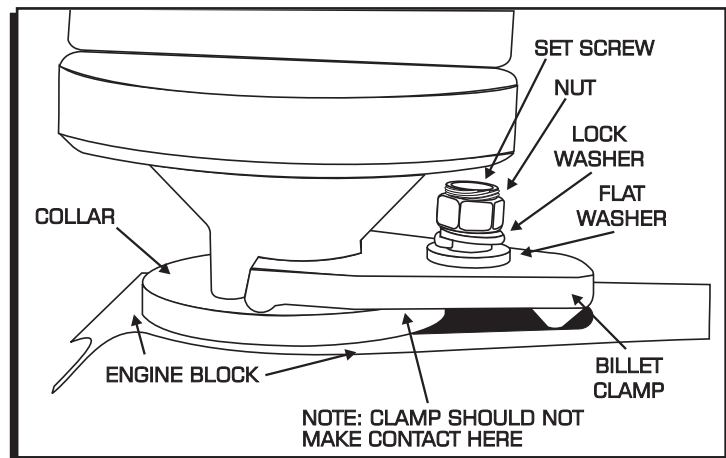


Figure 1 Billet Hold Down Clamp Installation.

Limited Warranty

MSD warrants this product to be free from defects in material and workmanship under its intended normal use*, when properly installed and purchased from an authorized MSD dealer, for a period of one year from the date of the original purchase. This warranty is void for any products purchased through auction websites. If found to be defective as mentioned above, it will be repaired or replaced at the option of MSD. Any item that is covered under this warranty will be returned free of charge using Ground shipping methods.

This shall constitute the sole remedy of the purchaser and the sole liability of MSD. To the extent permitted by law, the foregoing is exclusive and in lieu of all other warranties or representation whether expressed or implied, including any implied warranty of merchantability or fitness. In no event shall MSD or its suppliers be liable for special or consequential damages.

*Intended normal use means that this item is being used as was originally intended and for the original application as sold by MSD. Any modifications to this item or if it is used on an application other than what MSD markets the product, the warranty will be void. It is the sole responsibility of the customer to determine that this item will work for the application they are intending. MSD will accept no liability for custom applications.