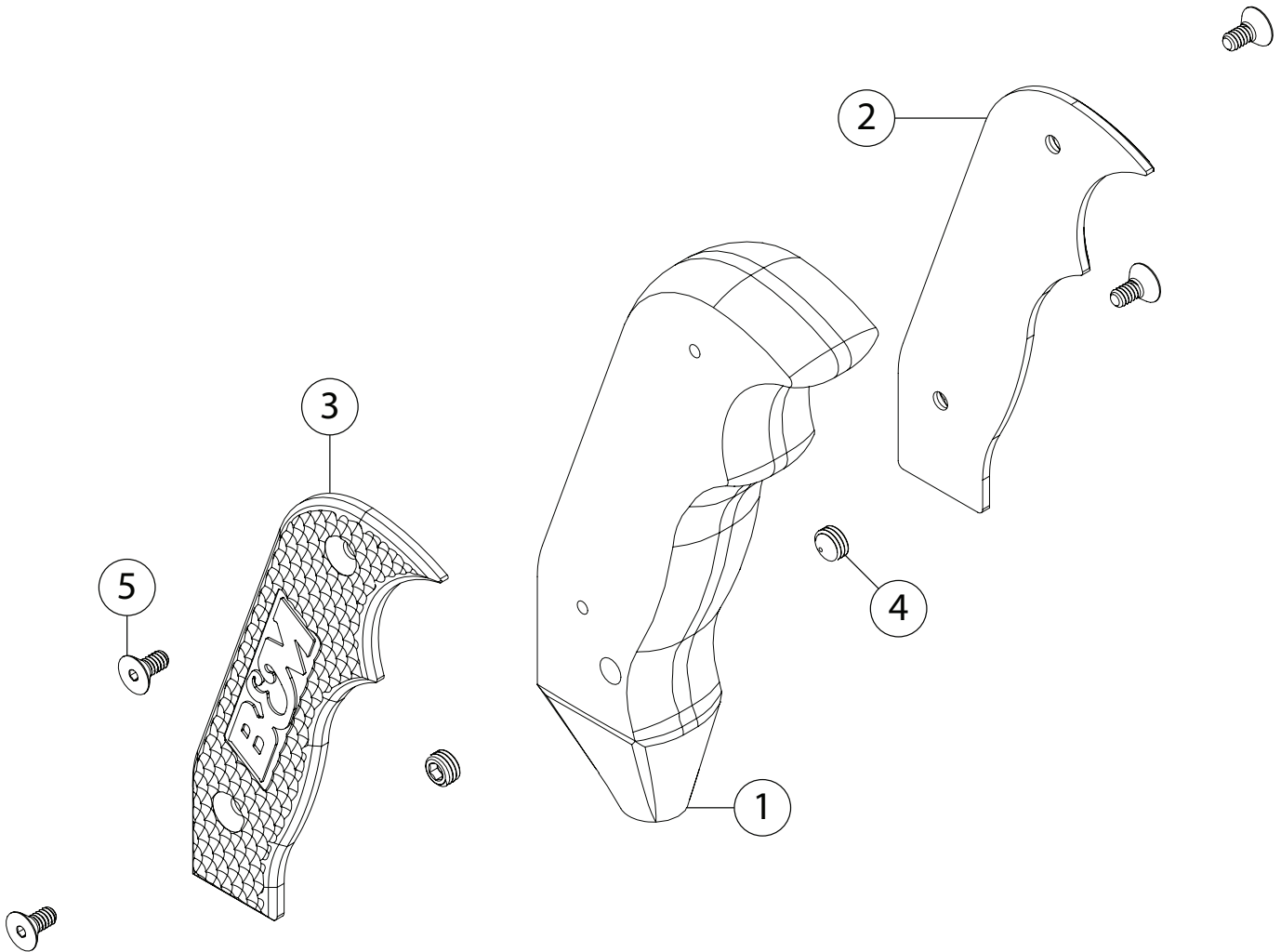




Installation Instructions
81230, 81231, 81232, 81233
 2018-23 TEXTRON WILDCAT
 Shifter Handle- Black



ITM #	PART #	DESCRIPTION	QTY.
1	4001801	Handle Body	1
2	4001492	Left Shifter Plate	1
3	4001495	Right Shifter Plate	1

ITM #	PART #	DESCRIPTION	QTY.
N/A	81230BA	Hardware Package includes:	1
4	3401544	¼ - 28 x ¾" Set Screw	2
5	3401537	6 - 32 x ¾" Screw	4

OVERVIEW:

Thank you for purchasing **XDR Shifter Handle**. This kit comes in four different color schemes, each one given a unique part number: Black (**81230**), Green (**81231**), Orange (**81232**) and Blue (**81233**). The following assembly instructions apply to all color variations of this product.



1. Please take a moment to read and understand these instructions before installing your purchased performance kit. Use parts drawing and list to verify kit contents.

REMOVE STOCK SHIFTER COMPONENTS:



2. Turn off vehicle and chock tires, then carefully remove stock shifter handle.



3. Remove stock nut from shifter stem.

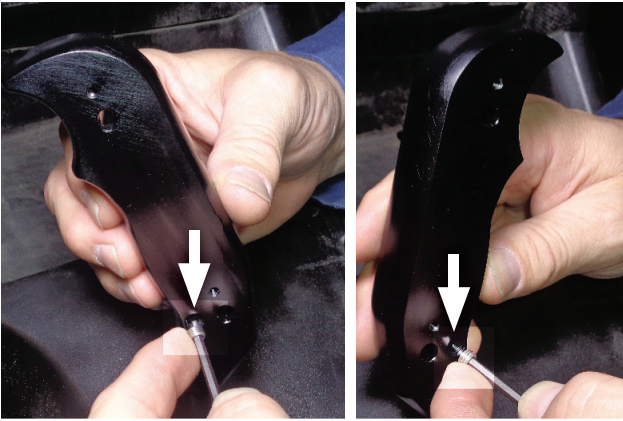
INSTALL YOUR XDR SHIFTER HANDLE:



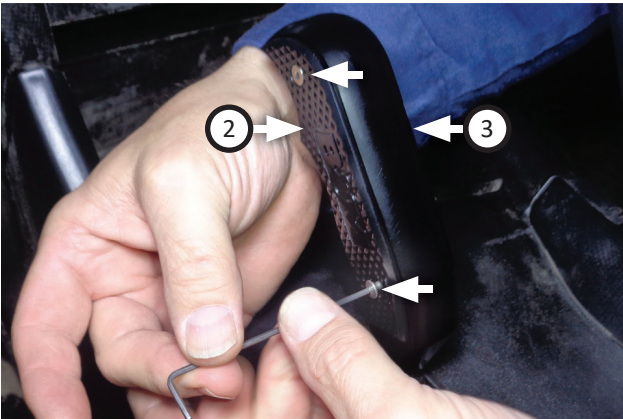
4. Thread **handle body (1)** onto shifter stem. Tighten it fully until it faces dashboard.



5. Apply loktite to (x2) **set screws (4)**.



6. Install set screws onto handle body as shown.



7. Install left (2) and right (3) shifter plates onto handle body using (x4) screws (5).



Congratulations, the installation of your XDR Textron Wildcat Shift Handle is now complete!

SHOP MORE XDR PRODUCTS:

XDR is a Powersports division resulting from a joint effort by B&M Racing and Flowmaster to provide customers with the ultimate in off-road performance. To access a full range of XDR SXS/UTV products (like those pictured below) visit the website listed at the bottom of the page.

