

PROConnect™

Wire Termination and Installation Instructions for Universal Wireset

1. Remove only one wire at a time, starting from the longest lead.
2. Select the long lead in the packet and cut the end at a 45° angle. See **Figure 1**.
3. Thread the ignition wire into the appropriate distributor nipple. See **Figure 2**.
4. Cut the end of the wire straight.
5. Measure the wire and cut 5/8" longer than needed.
6. Using a crimping tool, strip 5/8" of the insulation and jacket from the core (black center of wire). See **Figure 3**.
7. Fold the core back over the jacket.
8. Using a crimping tool, crimp the distributor terminal over the folded core. Make sure the core is in the bottom part of the terminal for the best connection. See **Figure 4**. Crimp the terminal tightly to prevent pulling the terminal of the cable.
9. On the 90° nipple, make sure the terminal is fully seated into the nipple and the terminal is turned properly to fit on the distributor post. See **Figure 5**.
10. Install the terminal and spark plug boot onto the spark plug.
11. Install the distributor terminal into or onto the distributor cap, making sure the terminal is fully seated. See **Figure 6**.
12. Make sure the distributor nipple is sealing completely around the distributor post. See **Figure 6**.
13. Repeat the procedure for the remaining leads.

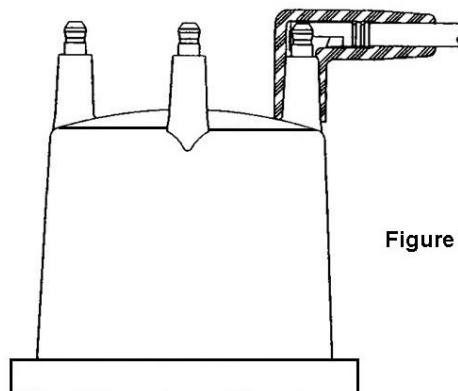
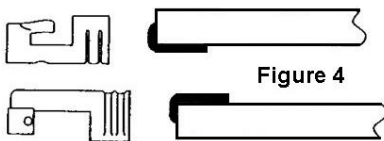
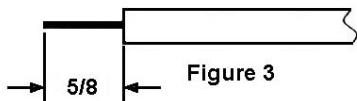
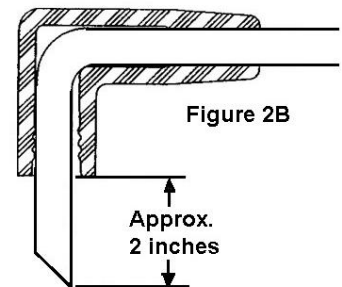
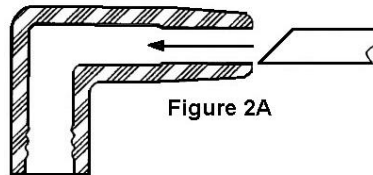
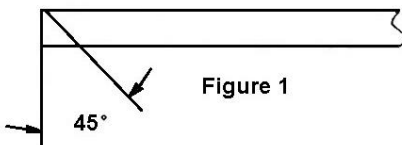
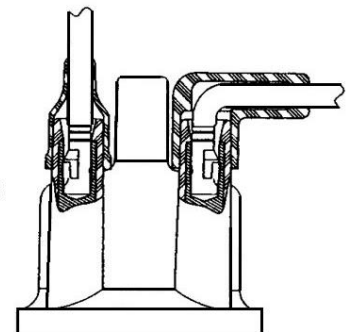


Figure 6



860546

Date: 1-13-17