

# MSD INSTALLATION INSTRUCTIONS

## Harness for DIS-4 to Ford Coil Pack PN 88812

**ONLINE PRODUCT REGISTRATION:** Register your MSD product online. Registering your product will help if there is ever a warranty issue with your product and helps the MSD R&D team create new products that you ask for! Go to [www.msperformance.com/registration](http://www.msperformance.com/registration).

**Important:** Review the DIS-4 instructions before attempting this installation.

The MSD PN 88812 Harness will allow you to install a DIS-4 ignition control to a Ford V-8 with two 4-tower Coil Packs for a splice-free installation (Figure 1).

### INSTALLATION

1. Disconnect the factory harness connector from the coil pack.
2. Connect the factory connector to the MSD harness.
3. Connect the opposite side of the MSD harness to the coil pack.
4. Crimp the bare end of the wires from the DIS-2 Harness into the butt connectors on the Harness.  
**Do not over-crimp the wires!**
5. Heat sensitive connectors are used so be sure to apply enough heat to properly shrink the connector over the wire.

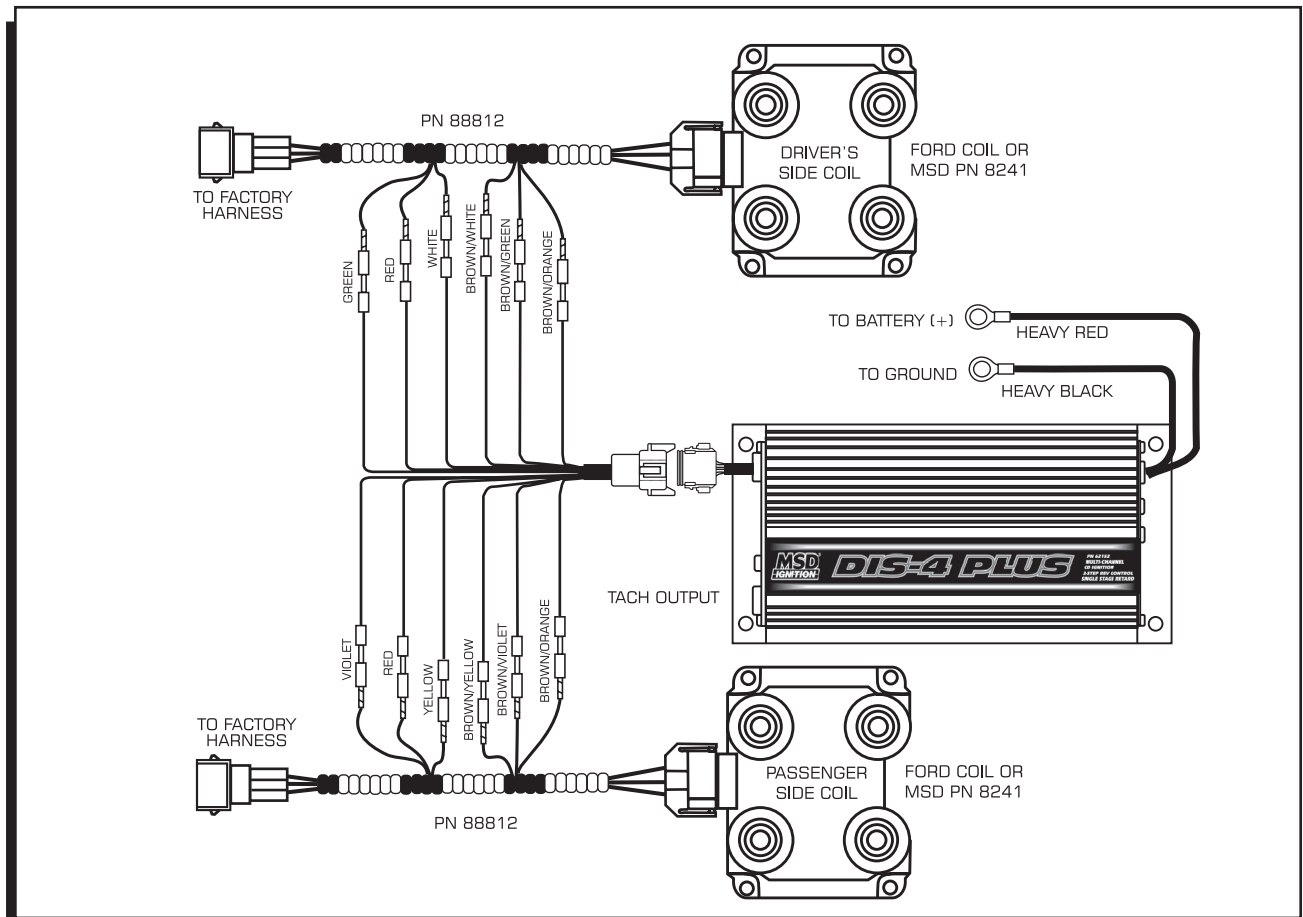


Figure 1 Installing an MSD DIS-4 with Harness PN 88812.

