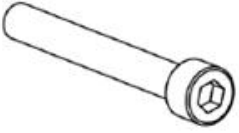

	1	Step Spacer
	2	Socket Head Cap Bolt, M10 x 1.5 x 80
	2	Flange Head Bolt, M8 x 1.25 x 20
	2	Flange Head Bolt, M8 x 1.25 x 80
	1	Flange Head Bolt, M10 x 1.5 x 45
	1	Flange Head Bolt, M10 x 1.5 x 60
	3	Flange Head Bolt, M10 x 1.5 x 70

20-135 & 20-143 = 97-174