



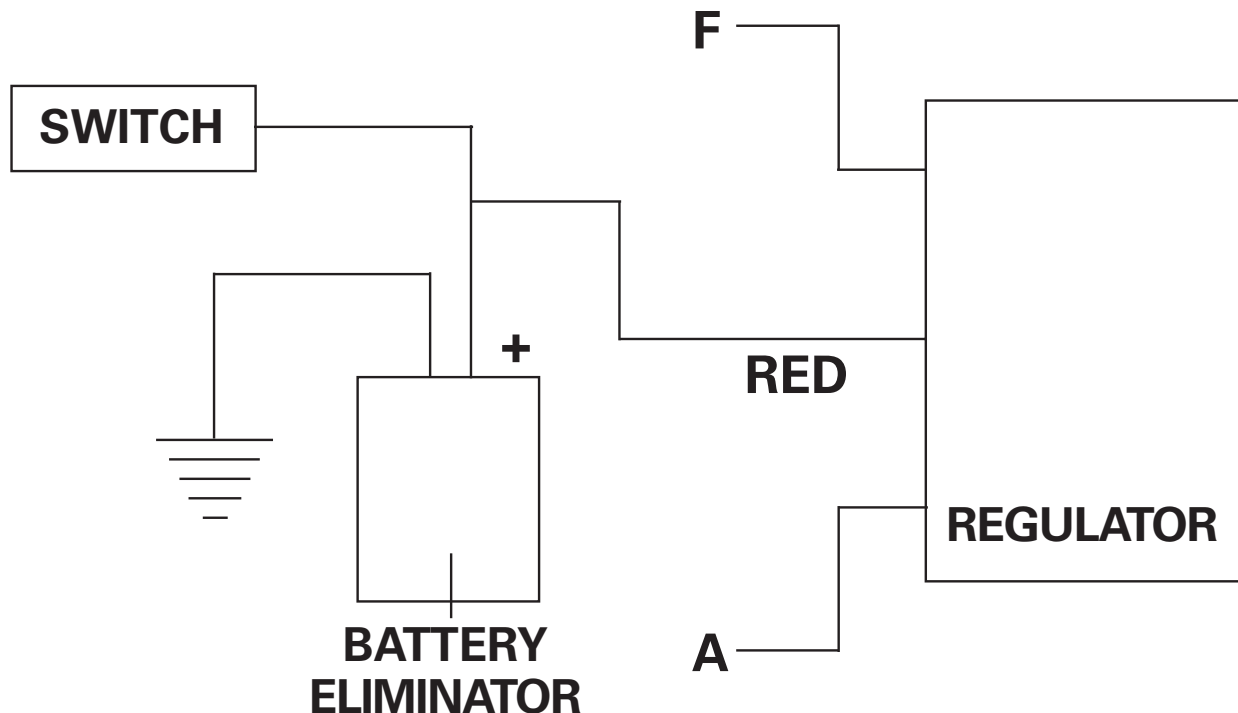
# BATTERY ELIMINATOR PART NO. 151308

For use with Magneto and Generator systems only. Use ACCEL solid state regulators 201103, 201104, or 211104.

When installing ACCEL's battery eliminator on a Harley Davidson that originally utilized a battery-less ignition system, it is recommended to mount the new unit to the original location, attaching the wires as originally connected.

If installing the Battery Eliminator on a Harley-Davidson that was originally equipped with a battery-operated system, it is recommended to mount it to the battery box as follows:

- 1) Drill a 3/16" hole in the center of the battery box.
- 2) Fit the battery eliminator in the shock resistant cushioned clamp and mount to battery box with the enclosed self-tapping screw and grommet.
- 3) Once the Battery Eliminator is mounted, connect the positive wire from the ignition switch (normally red) to the positive (+) terminal of the Battery Eliminator and connect a wire from the negative (-) terminal of the Battery Eliminator to a good ground such as the motorcycle engine or frame.



ACCEL MOTORCYCLE IS A DIVISION OF PRESTOLITE PERFORMANCE  
10601 MEMPHIS AVE. #12, CLEVELAND, OH 44144  
216.688.8300 FAX 216.688.8306

FORM 3-582-87  
12/07  
Printed in U.S.A.