

Detroit Speed
Stock Height Body Mounts
1967-1981 Camaro, 1967-69, 1975-81 Firebird & 1968-1974 Nova
P/N: 010301DS

The Detroit Speed Stock Height Body Mounts are a simple approach to eliminating the flex that occurs between the body and frame connection. The mounts are CNC machined from 6061 aluminum and then hardcoated to resist galvanic corrosion between dissimilar metals, which can occur between steel and aluminum. The installation of the body mounts will improve the vehicle's handling response by increasing chassis stiffness.



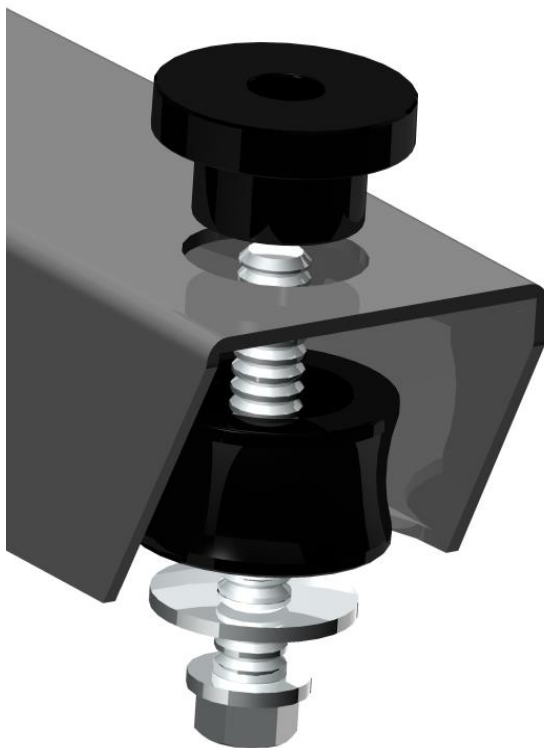
| Item | Part Name | Quantity |
|------|----------------------------|----------|
| 1 | Upper Mount Body | 4 |
| 2 | Lower Cup Body | 4 |
| 3 | 1.75" Stainless Washer | 4 |
| 4 | Upper Cup - Core Support | 2 |
| 5 | Lower Mount - Core Support | 2 |
| 6 | Core Support Washer | 2 |
| 7 | 12mm Flat Washer | 2 |
| 8 | Instructions | 1 |

Installation Notes:

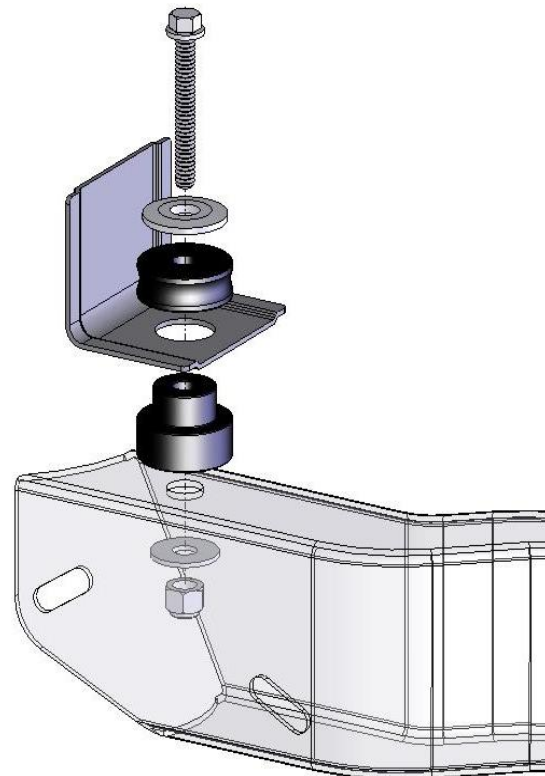
- When installing the body mounts, the frame must be properly aligned in the body using corner to corner measurements as well as front to rear wheelbase measurements.
- If new bolts are required, Detroit Speed has a Stainless Steel Bolt Kit available. See chart below for available part numbers. When using stainless steel bolts, apply anti-seize to the threads prior to assembly.
- On 1968-1974 Nova applications, it is necessary to re-install the factory body mount spacers if you have not purchased the Detroit Speed Stainless Steel Bolt Kit.

| Detroit Speed Stainless Steel Bolt Kits | |
|---|--|
| P/N | Application |
| 010801DS | 1967-81 Camaro/Firebird |
| 010803DS | 1968-74 Nova (Includes factory style aluminum spacers) |

| Fastener Torque Specifications | |
|--------------------------------|-----------------|
| Application | Torque (Ft-lbs) |
| Core Support | 35 |
| Frame to Body | 85 |



Assembly View of Body Mount to Frame



Assembly View of Body Mount to Core Support

If you have any questions before or during the installation of this product, please contact Detroit Speed at tech@detroitsspeed.com or 704.662.3272

Legal Disclaimer: Detroit Speed is not liable for personal, property, legal, or financial damages from the use or misuse of any product we sell. The purchaser is solely responsible for the safety and performance of these products. No warranty is expressed or implied.