



INSTALLATION INSTRUCTIONS

HEI Vacuum Advance Stop Plate PN 84281

For MSD Pro-Billet HEI, PN 8365/83653
and Street Fire HEI, PN 8362/83623

Important: Read these instructions before attempting the installation.

Parts Included:

- 1 - Limiter Vacuum Advance
- 1 - Bushing Blue
- 1 - 4mm x .7 x 20mm Flatblade Screw (for Street Fire HEI, PN 8362/83623)
- 2 - #8, Lock Internal Tooth Washers
- 1 - 8-32 x .625 Phillips Screw (for MSD Pro-Billet HEI, PN 8365/83653)

The HEI Vacuum Advance Stop, allows you to limit the amount of vacuum advance that occurs while driving. It is designed for use on the Street Fire HEI, PN 8362/83623 and the MSD Pro-Billet, PN 8365/83653. The two are easy to distinguish; the Street Fire has a cast aluminum housing while the MSD model is billet, polished aluminum. There are four positions that the Stop can be installed as shown in Figure 1.

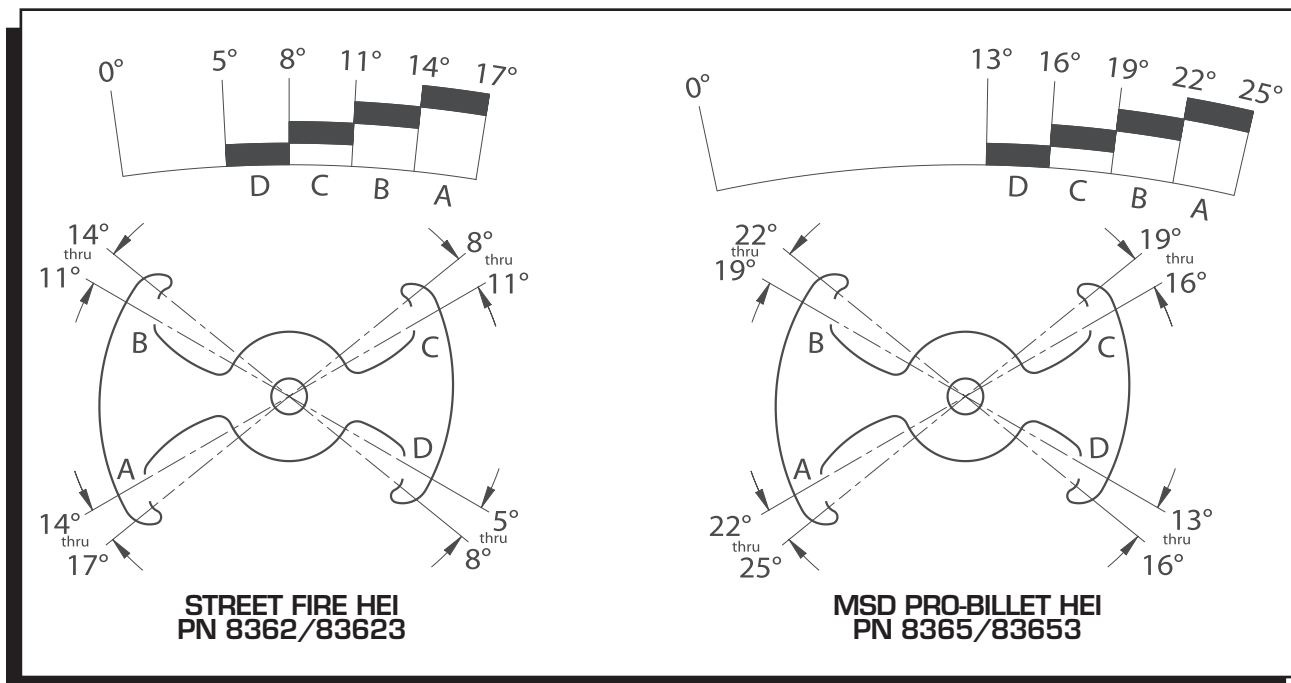


Figure 1 Vacuum Advance Stop Limit Averages.

INSTALLATION

1. Mark the location of each spark plug wire, disconnect the wiring and remove the cap.
2. Remove the rotor.
3. Remove the rear screw that holds the vacuum canister in place.
4. Position the Stop Plate with the desired stop amount against the canister rod (Figure 2). Position the plate as shown.
5. The Street Fire HEI uses the flatblade screw, while the Pro-Billet model uses the Phillips. Install the star washer, the Stop Plate, spacer and the other star washer over the correct screw. Apply Blue Loctite to the end of the screw and position it over the canister bracket and into the housing. Ensure that the Stop Plate is installed in the proper position.
6. Reinstall the rotor, cap, plug wires and wiring.

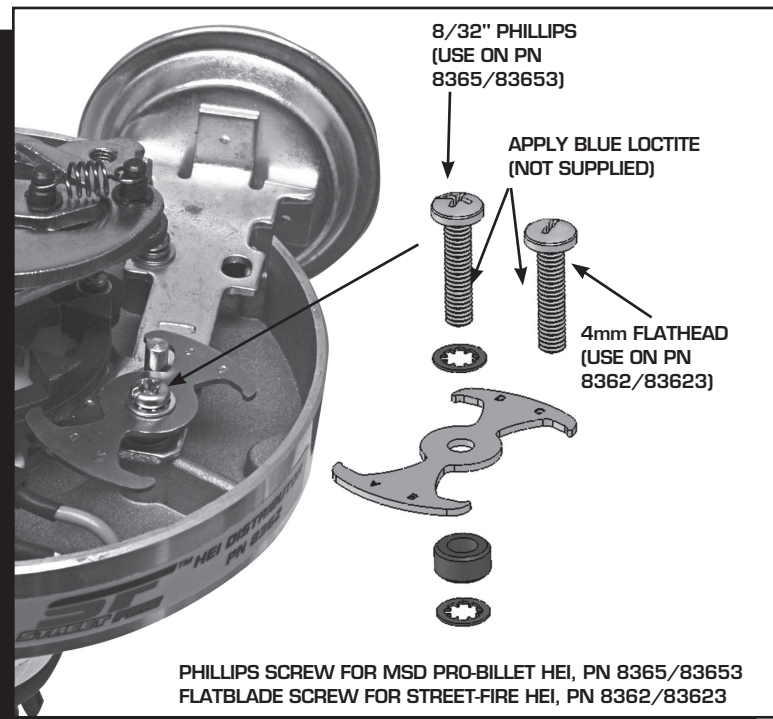


Figure 2 Installation.

Service

In case of malfunction, this MSD component will be repaired free of charge according to the terms of the warranty. When returning MSD components for warranty service, **Proof of Purchase** must be supplied for verification. After the warranty period has expired, repair service is based on a minimum and maximum fee.

All returns must have a *Return Material Authorization (RMA)* number issued to them before being returned. To obtain an RMA number please contact MSD Customer Service at 1 (888) MSD-7859 or visit our website at www.msperformance.com/rma to automatically obtain a number and shipping information.

When returning the unit for repair, leave all wires at the length in which you have them installed. Be sure to include a detailed account of any problems experienced, and what components and accessories are installed on the vehicle. The repaired unit will be returned as soon as possible using Ground shipping methods (ground shipping is covered by warranty). For more information, call MSD at (915) 855-7123. MSD technicians are available from 7:00 a.m. to 5:00 p.m. Monday - Friday (mountain time).

Limited Warranty

MSD warrants this product to be free from defects in material and workmanship under its intended normal use*, when properly installed and purchased from an authorized MSD dealer, for a period of one year from the date of the original purchase. This warranty is void for any products purchased through auction websites. If found to be defective as mentioned above, it will be repaired or replaced at the option of MSD. Any item that is covered under this warranty will be returned free of charge using Ground shipping methods.

This shall constitute the sole remedy of the purchaser and the sole liability of MSD. To the extent permitted by law, the foregoing is exclusive and in lieu of all other warranties or representation whether expressed or implied, including any implied warranty of merchantability or fitness. In no event shall MSD or its suppliers be liable for special or consequential damages.

*Intended normal use means that this item is being used as was originally intended and for the original application as sold by MSD. Any modifications to this item or if it is used on an application other than what MSD markets the product, the warranty will be void. It is the sole responsibility of the customer to determine that this item will work for the application they are intending. MSD will accept no liability for custom applications.