



LAKEWOOD H.D. REAR LOWER CONTROL ARMS INSTALLATION INSTRUCTIONS

Part #20150 Fits 1979-1998 Ford Mustang

Part #20151 Fits 1999-2001 Ford Mustang

Features:

- Legal for NHRA Stock Eliminator Classes
- Completely bolt-on, no welding required
- Does not change stock wheel base location
- Polyurethane bushings for positive suspension control and stability

IMPORTANT!

Read this instruction sheet completely so that you thoroughly understand it and are familiar with the procedure before attempting installation.

WORK SAFELY!

Installation of these control arms requires working underneath vehicle.

USE EXTREME CARE AND CAUTION WHEN WORKING UNDERNEATH VEHICLE.

Never get near or under vehicle until you are confident that it is safely supported and will not move or fall from its raised position.

DO NOT USE A BUMPER JACK.

PREPARATION FOR INSTALLATION

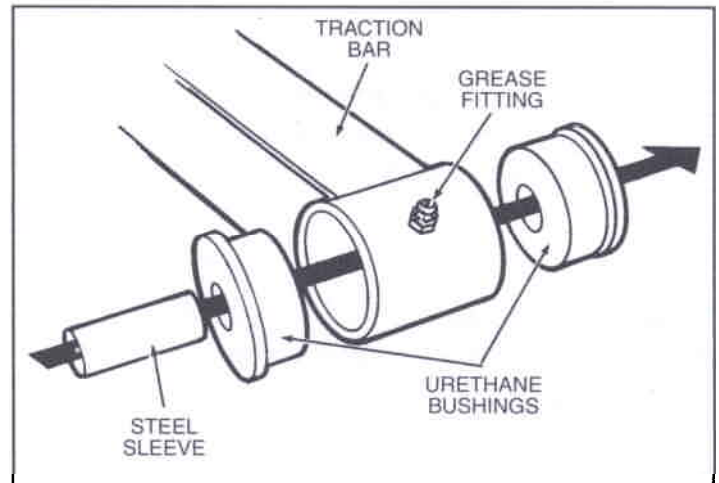
1. Place vehicle on a solid level surface to ensure safe installation
2. Place wheel blocks in front of and behind both front wheels to prevent movement in either direction.
3. Raise rear of vehicle and support flat area of chassis in front of lower control arm attaching point using approved automotive support stands having adequate load capacity. **DO NOT** put support stands under the axle housing. Note: Raise vehicle high enough to allow adequate clearance for coil spring removal.

CAUTION

DO NOT BEGIN THIS INSTALLATION UNTIL YOU ARE CONFIDENT THAT VEHICLE IS SECURE AND SAFELY SUPPORTED!

CONTROL ARM ASSEMBLY

1. Install grease fittings (supplied) into each end of control arm by driving fittings into drilled hole of bushing eyelet using a hammer and either a 9/32" or 7mm socket. Use care not to damage fittings (*see illustration*).



2. Apply lubricant (supplied) to polyurethane bushings and steel sleeves, then install into eyelet ends as shown.

CONTROL ARM INSTALLATION

NOTE

We recommend working on only one side at a time. There is a right hand and left hand control arm. The correct arm for each side can be determined by the location of the stabilizer bar mounting plate and coil spring perch. The arms should be installed with the stabilizer mounting plate located toward the outside and the spring perch toward the rear.

1. Remove both rear wheels.
2. Apply penetrating oil or rust release lubricant to front and rear mounting bolts of lower control arms and stabilizer bar mounting bolts.

3. Remove stabilizer bar.
4. Drop exhaust system down far enough to allow access to front lower control arm bolts.
5. Raise axle housing up approximately 2" (a hydraulic floor jack is recommended for this procedure).
6. Using an 18mm hex wrench, remove nut from vertical shock absorber lower bracket mount stud. Compress shock slightly to facilitate removal of bracket stud from axle housing bracket.

CAUTION

Shock absorbers are pressurized with gas, use care when removing stud from bracket. Carefully release shock allowing it to extend all the way out.

7. Slowly lower axle housing until coil spring pressure has been removed and carefully remove spring.
8. Using an 18mm hex socket and wrench, remove lower control arm. **DO NOT** discard the bolts and nuts, they will be reused.
9. Determine the correct control arm for the side you are working on (the Lakewood Control Arm should be installed with the stabilizer mounting plate located toward the outside and the spring perch toward the rear). Install the control arm to the chassis and axle housing brackets using the stock factory mounting bolts and nuts previously removed.

NOTE

Clean and lubricate axle and chassis control arm mounting brackets with a good quality chassis grease to ease installation.

10. Tighten front and rear control arm mounting bolts to 80 ft./ lb. torque.

11. Place coil spring into position. Be sure to replace the factory rubber seats on the top and bottom of the spring.
12. Raise axle housing up to compress coil spring enough to allow re-attachment of the shock absorber. Replace factory hex nut onto bracket mount stud. Tighten securely.
13. Follow the same above procedure for installation of Lakewood Control Arm on other side of vehicle.
14. When both control arms are installed, re-attach the stabilizer bar using the stock factory mounting bolts and nuts. Tighten securely.
15. Lubricate both ends of the traction bars with a good quality chassis grease.
16. Re-attach exhaust system and tighten all fasteners securely.
17. Install wheels and properly tighten lug nuts to wheel manufacturers specifications.
18. Carefully remove support stands and lower vehicle to ground.

**THIS COMPLETES THE INSTALLATION.
YOU CAN NOW TEST DRIVE THE VEHICLE.**

IMPORTANT!

Periodically check to make sure that all mounting hardware is securely tightened. Use a good quality chassis grease to keep bushings and sleeves properly lubricated.

TECHNICAL SERVICE

A highly trained technical service department is maintained by Lakewood Industries to answer your technical questions, provide additional product information and offer various recommendations. See your local retailer of Lakewood products for specific prices. For best results, technical service calls, correspondence and warranty questions should be directed to the following address:

www.mrgasket.com

Recommended optional Lakewood products:

- For drag racing, use Lakewood Traction... Action Lift Bars for 1979-98 Mustangs **#21900**, for 1999-01 Mustangs **#21901**
- For drag racing, the factory rear shocks should be replaced with a 50/50 ratio shock absorber (1979-1993 Mustangs) **#40301**
- Front Drag Struts are also available for 1979-93 model years in ratios of 70/30 **#40501**, or 90/10 **#40511**. Also 1994-2000 Mustangs 70/30 **#40506**, and 90/10 **#40516**
- Rear Lower Control Arms with polyurethane bushings to reduce flex and provide stability for 1979-98 Mustangs **#20150**, and 1999-01 Mustangs **#20151**
- Heavy-duty rear upper control arms with polyurethane bushings reduce flex and provide stability for 1979-01 Mustangs **#20152**
- Bolt-on Subframe Connectors for 1979-93 Mustang will help eliminate body flex and greatly strengthen the chassis **#20485**
- Replacement Bushing Set. Bushings for all Mustangs' Control Arms and Traction Bars **#20538**
- Bolt-in Drive Shaft Safety Loop for 1979-01 Mustangs **#18017**

See your local retailer of Lakewood products for specific prices.

www.mrgasket.com

RETAIN THIS INSTRUCTION SHEET FOR FUTURE REFERENCE.