



Detroit Speed Inc.
Mono-Leaf to Multi-Leaf Conversion Kit
P/N: 041101

The Detroit Speed Mono-Leaf to Multi-Leaf Conversion Kit allows you to use your existing mono-leaf spring perch and lower shock plate when converting to a multi-leaf spring. Follow instructions for installation and reference Figure 1 for assembly.



Item	Description	Quantity
1	Mono-to-Multi-Leaf Steel Locating Pad	2
2	Mono-to-Multi-Leaf Aluminum Spacer	4
3	7/16"-20 x 3-1/16" x 6-7/8" U-Bolts	4
4	7/16"-20 Hex Nuts	8
5	7/16" SAE Flat Washer	8
6	Instructions	1

NOTE: This kit is designed for use with a 3" diameter axle tube. This kit was also designed using the DSE drop leaf springs which have a thickness of 1-11/16" at the spring perch.

Instructions:

1. Remove the mono-leaf spring and both rubber pads.
2. Place the steel locating pad over the center bolt head of the new multi-leaf spring.

3. Center the steel locating pad in the upper spring seat.
4. Place the aluminum spacers on each side of the multi-leaf spring.
5. The steel locating pad can be welded to the spring perch seat if desired.
6. Install the U-bolts through the spring perch, spacers, and lower shock plate and torque to 45 ft-lbs. using the provided hardware. **NOTE:** If you are not using the DSE drop leaf springs that are not as thick at the spring perch, you may need to use the rubber pad(s) removed in step 1 if the assembly is not tight after installation.

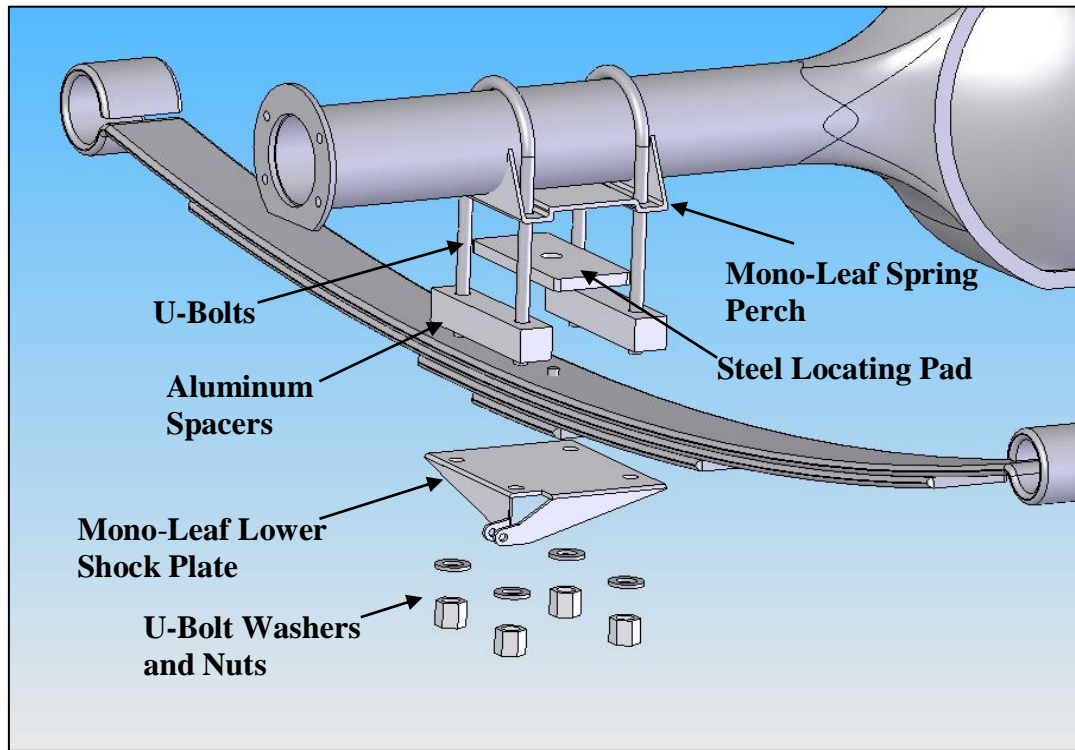


Figure 1 - Mono-Leaf to Multi-Leaf Conversion Kit Exploded Assembly View

If you have any questions before or during the installation of this product please contact Detroit Speed and Engineering at info@detroitsspeed.com or 704.662.3272

Legal Disclaimer: *Detroit Speed, Inc. is not liable for personal, property, legal, or financial damages from the use or misuse of any product we sell. The purchaser is solely responsible for the safety and performance of these products. No warranty is expressed or implied.*