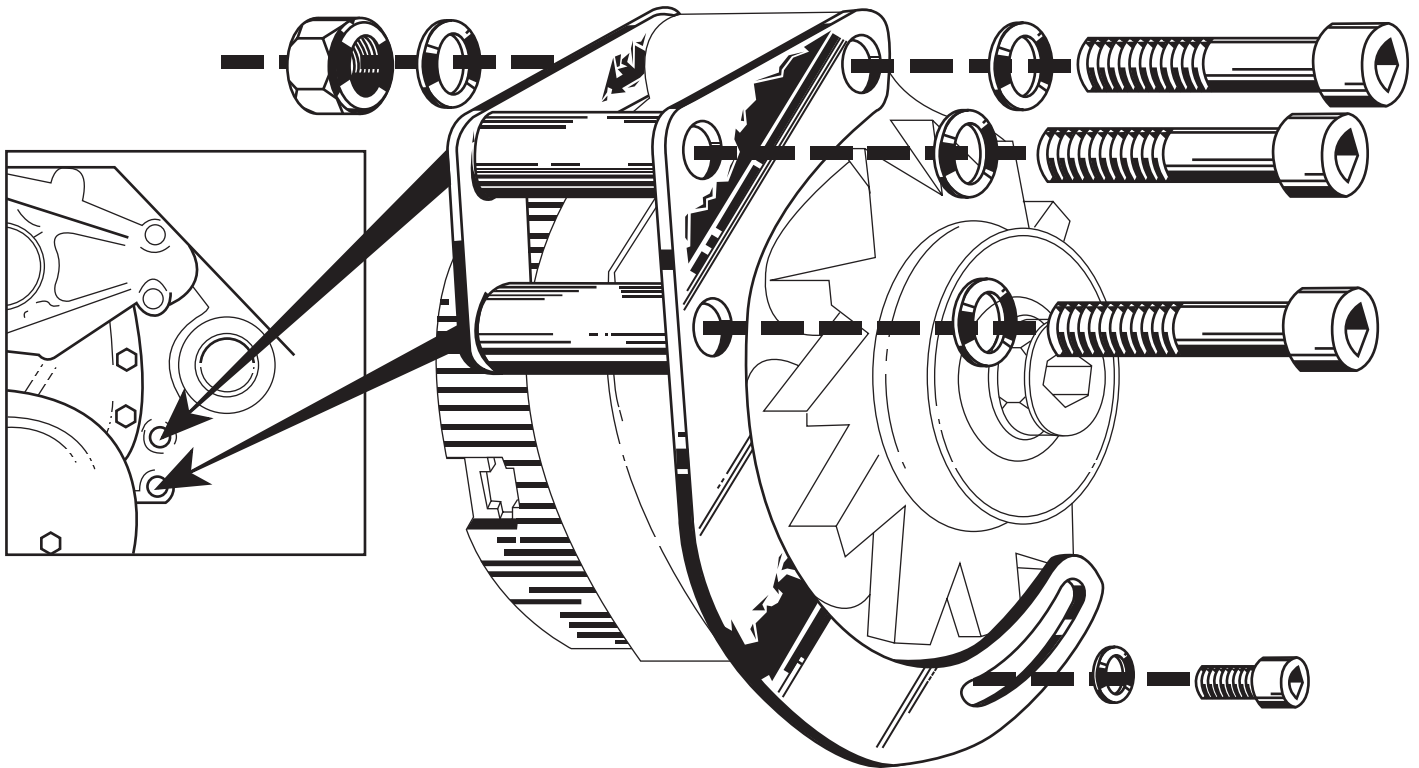




## Installation Instructions Low Mount Alternator Bracket For Small Block Chevy With Short Water Pump #5179



**NOTE:** Alternator wiring location and length may need to be altered depending on current alternator position.

1. Disconnect negative cable from battery, then wires from alternator. *Be sure to note the correct wire to terminal positions.*
2. Remove alternator belt, alternator, original mounting brackets.
3. Using two lower mounting holes on left side of block, assemble new bracket on engine as shown in drawing with socket head bolts (supplied). Tighten socket head bolts securely.
4. Mount alternator loosely in bracket with socket head bolts (supplied) to find belt length needed (OEM and aftermarket pulleys vary in diameter so we can not recommend the proper length). Place alternator in shortest belt position, place 1/4" rope or an old belt around the alternator, crank, and water pump pulleys and measure length. Purchase a belt 1/2" longer than measurement.
5. Install new belt and adjust tension to original manufacturers specifications. Tighten all bolts securely. Check for proper belt alignment.
6. Reconnect alternator wires and negative battery cable. Start engine and re-check belt alignment to complete installation.