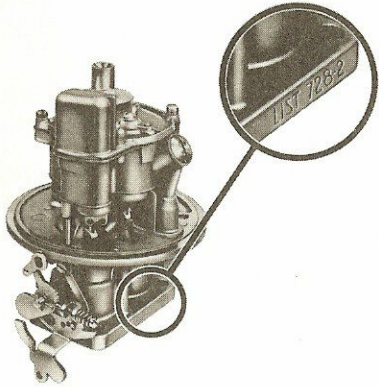
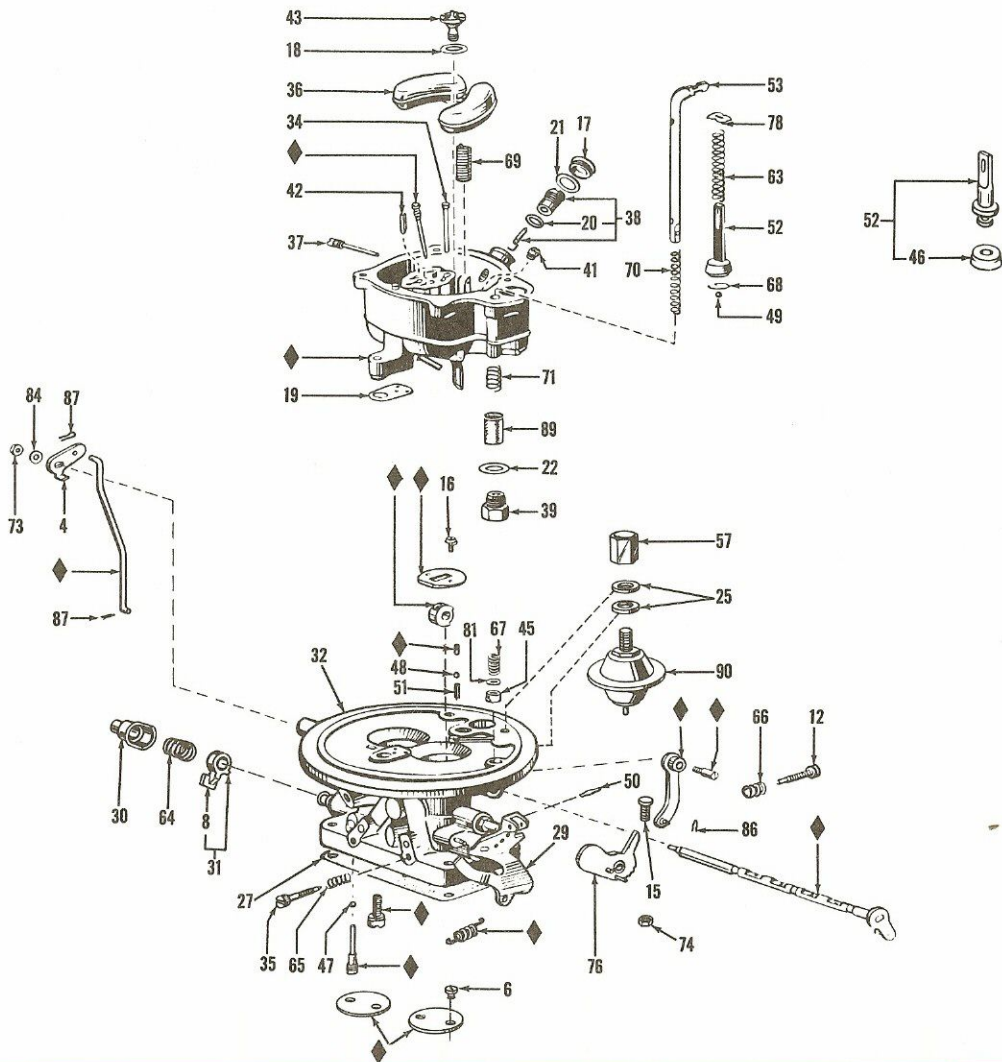
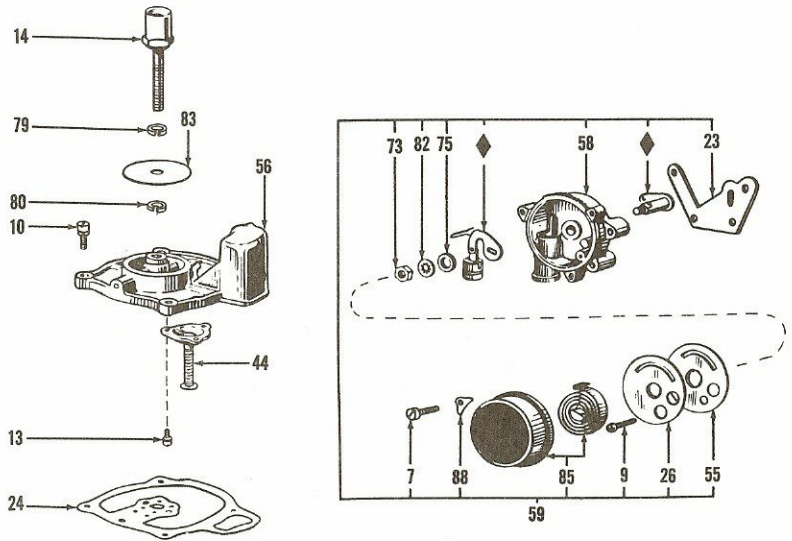


TYPICAL VIEW ILLUSTRATION NO. 33-1



LIST NUMBER STAMPED ON
THROTTLE BODY FLANGE



Parts having ♦ designation are not available for service



CARBURETION

MODEL 1901-FF
PASSENGER 8 CYLINDER

ILLUS. NO. 33-1

Refer to Numerical Listing Section for Variable Parts

Index Number	Letter	Part Name	Part Number or Reference Section	Index Number	Letter	Part Name	Part Number or Reference Section
4	L	Choke Lever	4R-304	47	L-M	Distributor Check Valve	28R-30
6	L-M	Throttle Plate Screw	5R-4	48	L	Dashpot Check Valve	28R-94
7	L	Thermostat Housing Screw	5R-16	49	L-M	Pump Check Valve	28R-94
8	L	Hand Throttle Lever Swivel Scr.	5R-167	50	L	Fast Idle Cam Retainer	29R-285
9	L	Choke Housing Plate Screw	5R-167	51	L	Dashpot Check Valve Weight Pin	29R-375
10	L	Main Body Cover Screw & L.W.	5R-333	52	L-M	Accelerating Pump Piston Assy.	X
12	L	Throttle Stop Screw	5R-372	53	L	Pump Operating Rod	X
13	L	Economizer Screw & Lock W.	5R-375	55	L	Choke Housing Plate	34R-615
14	L	Air Cleaner Anchor Screw	5R-427	56	L	Main Body Cover & Plugs Assy.	N/A
15	L	Dashpot Adjusting Screw	5R-447	57	L	Dashpot Cap	34R-804
16	L	Choke Plate Screw & L.W.	5R-474	58	L	Choke Housing & Plugs Assy.	34R-1052A
17	L	Fuel Valve Seat Plug	7R-113	59	L	Choke Housing Assy. - Complete	34R-1054A
18	G-M-P	Power Jet Valve Gasket	X	63	L	Accelerating Pump Spring	38R-1
19	G-M-P	Main Body to Throttle Body Gasket	X	64	L	Hand Throttle Lever Spring	38R-9
20	G-M-P	Fuel Inlet Valve Seat Gasket	X	65	L	Idle Adjusting Needle Spring	38R-108
21	G-M-P	Fuel Valve Seat Plug Gasket	X	66	L	Throttle Stop Screw Spring	38R-110
22	G-M-P	Fuel Inlet Fitting Gasket	X	67	L	Pump Rod Seal Spring	38R-177
23	G-M-P	Choke Housing Gasket	X	68	L-M	Pump Check Valve Retainer Spr.	38R-236
24	G-M-P	Main Body Cover Gasket	X	69	L-M	Float Spring	38R-332
25	G-M-P	Dashpot Gasket	X	70	L	Accelerating Pump Return Spr.	38R-339
26	G-M-P	Thermostat Housing Gasket	X	71	L	Filter Screen Retainer Spring	38R-342
27	G-L-M-P	Flange Gasket	8R-562	73	L	Choke Shaft Nut (Hexagon)	39R-5
29	L	Throttle Lever & Shaft Assembly	X	74	L	Dashpot Lever Adjusting Screw Nut	39R-11
30	L	Hand Throttle Lever Collar	11R-19	75	L	Choke Thermostat Lever Spacer	40R-108
31	L	Hand Throttle Lever Assembly	11R-438A	76	L	Fast Idle Cam Assembly	X
32	L	Throttle Body & Shaft Assembly	N/A	78	L	Accelerating Pump Spr. Washer	46R-1
34	L-M	Main Well Tube Assembly	14R-201A-31	79	L	Air Cleaner Anchor Scr. L.W.	46R-3
35	L-M	Idle Adjusting Needle	15R-52	80	L	Bleeder Screen Washer L.W.	46R-3
36	L	Float & Hinge Assembly	16R-129A	81	L	Pump Oper. Rod Seal Washer	46R-131
37	L-M	Float Shaft	17R-21	82	L	Choke Shaft Nut L.W. (Shakeproof)	46R-248
38	L-M-P	Fuel Inlet Valve & Seat Assy.	6-12	83	L	Bleeder Screen Washer	46R-335
39	L	Fuel Inlet Fitting	19R-92	84	L	Choke Shaft Nut Lock Washer	46R-373
41	L-M	Main Jet	22R-40-56	85	L	Thermostat Housing Assy.-Comp.	47R-47A
42	L-M	Pump Discharge Valve	23R-115	86	L-M	Pump Link Retainer	48R-117
43	L-M	Power Jet Valve Assembly	25R-80A-52	87	L-M	Choke Rod Cotter Pin	48R-183
44	L-M	Economizer Diaphragm & Stem Assy.	25R-160A-1	88	L	Thermostat Housing Clamp	49R-128
45	G-L-M-P	Pump Operating Rod Seal	27R-70	89	L-M	Filter Screen & Retainer Assy.	57R-19A
46	G-L-M-P	Accelerating Pump Piston Cup	27R-130	90	L	Dashpot Assembly	11-2

NOTE: "X" Symbol Indicates "Refer to Numerical Listing Section for Specific Parts Required"

G = Gasket Kit; L = Loose Parts; M = Master Kit; P = Pep Kit