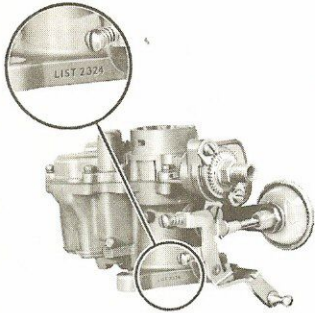
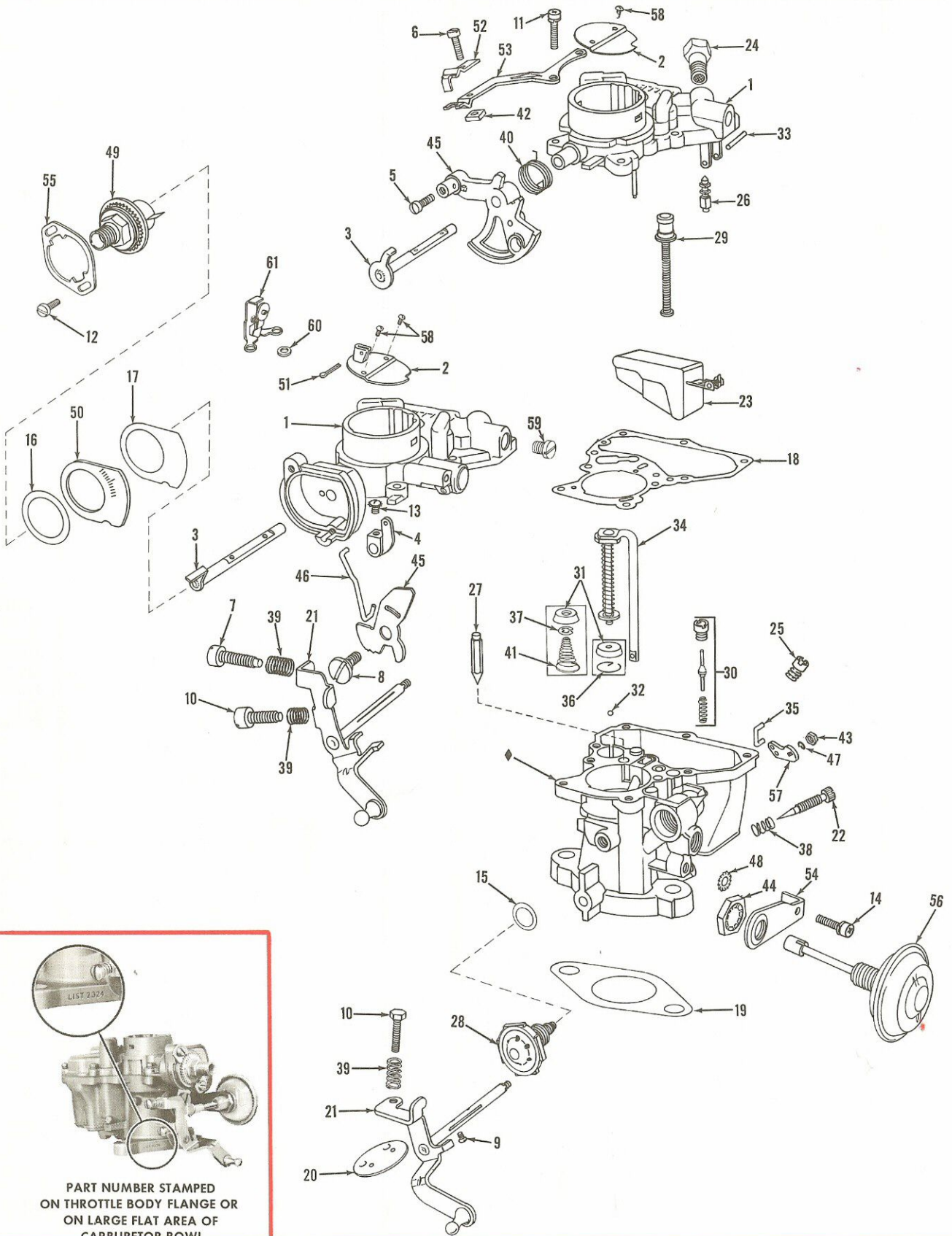


TYPICAL VIEW ILLUSTRATION NO. 4-3



PART NUMBER STAMPED
ON THROTTLE BODY FLANGE OR
ON LARGE FLAT AREA OF
CARBURETOR BOWL

See Service Parts List for items not illustrated here.

Parts having ♦ designation are not available for service.



Refer to Numerical Listing Section for Variable Parts

Index Number	Letter	Part Name	Part Number or Reference Section	Index Number	Letter	Part Name	Part Number or Reference Section
1	L	Air Horn & Tubes Assy.	X	37	L-M-P	Pump Piston Cup Ret.	36R-340
2	L	Choke Plate Assy.	X	38	L-M	Idle Needle Sprg.	38R-108
3	L	Choke Shaft & Lev. Assy.	X	39	L-M	Throttle Stop Scr. Sprg.	X
4	L	Choke Lev.	4R-745B	40	L	Pump Lever Sprg.	38R-923
5	L	Fast Idle Swivel Scr.	5R-167	41	L	Pump Return Sprg.	X
6	L	Choke Wire Brkt. Clamp Scr.	5R-641	42	L	Choke Wire Brkt. Clamp Nut	39R-1
7	L	Fast Idle Scr.	X	43	L	Pump Lev. Nut L. W.	39R-11
8	L	Fast Idle Cam Scr.	5R-816	44	L	Dashpot Nut	39R-193
9	L-M	Throt. Plate Scr.	5R-837	45	L	Fast Idle Cam	X
10	L	Throt. Stop Scr.	X	46	L	Fast Idle Link	43R-301
11	L	Brkt. Mounting Body Scr. & L. W.	X	47	L	Pump Lev. Nut L. W.	46R-636
12	L	Therm. Cap Clamp Scr.	5R-848	48	L	Dashpot Brkt. Scr. L. W.	X
13	L	Choke Lev. Scr.	5R-849	49	L	Thermostat & Cap Assy.	X
14	L	Dashpot Brkt. Scr.	X	50	L	Choke Housing Plate	X
15	G-M-P	Spark Valve Gskt.	X	51	L-M	Choke Piston Link Pin	48R-183-3
16	G-M-P	Therm. Cap Gskt.	X	52	L	Choke Wire Brkt. Clamp.	49R-149
17	G-M-P	Choke Hsg. Gskt.	X	53	L	Choke Wire Brkt.	49R-541
18	G-M-P	Carburetor Body Gskt.	X	54	L	Dashpot Brkt.	X
19	G-L-M-P	Flange Gskt.	8R-955	55	L	Thermostat Cap Clamp	49R-562
20	L	Throttle Plate	9R-164	56	L	Dashpot Assy.	11-4
21	L	Throt. Lev. & Shaft Assy.	X	57	L	Pump Lev.	63R-566
22	L-M	Idle Needle	X	58	L-M	Choke Plate Scr.	X
23	L	Float Assy.	16R-346A-3	59	L	Fuel Inlet Plug	7R-5
24	L-M	Fuel Inlet Fitting Assy.	X	60	L	Vent Bracket Spacer	46R-294
25	L	Main Jet	X	61	L	Vent Valve Brkt. Assy.	65R-33A
26	L-M-P	Fuel Inlet Needle	X	*	L	Choke Air Tube Plug	7R-512
27	L-M	Pump Discharge Valve	23R-321	*	L	Adapter Gasket	8R-1037
28	L-M	Spark Valve Assy.	X	*	L	Choke Heat Tube	14R-512
29	L-M	Power Valve Piston Assy.	25R-322A	*	L	Choke Heat Tube Insulator	14R-513
30	L-M-P	Power Valve Assy.	25R-336AS	*	L	Heat Tube Nut	19R-6
31	L-M-P	Pump Piston Cup	X	*	L	Heat Tube Sleeve	19R-242
32	L-M	Pump Inlet Valve	28R-94	*	L	Fuel Connection Street Elbow	19R-318
33	L-M	Float Hinge Pin	29R-726	*	L	Air Cleaner Hold Down Bail Assy.	36R-378A
34	L	Pump Rod & Stem Assy.	X	*	L	Air Cleaner Bail Nut	39R-235
35	L-M	Pump Link	33R-403	*	L	Air Horn Adapter	61R-286
36	L-M	Pump Inlet Valve Ret.	36R-309				

NOTE: "X" Symbol Indicates "Refer to Numerical Listing Section for Specific Part Required"

G = Gasket Kit; L = Loose Parts; M = Master Kit; P = Pep Kit

*These items are not shown on the typical view. They are packaged with some service units to provide a more universal coverage.