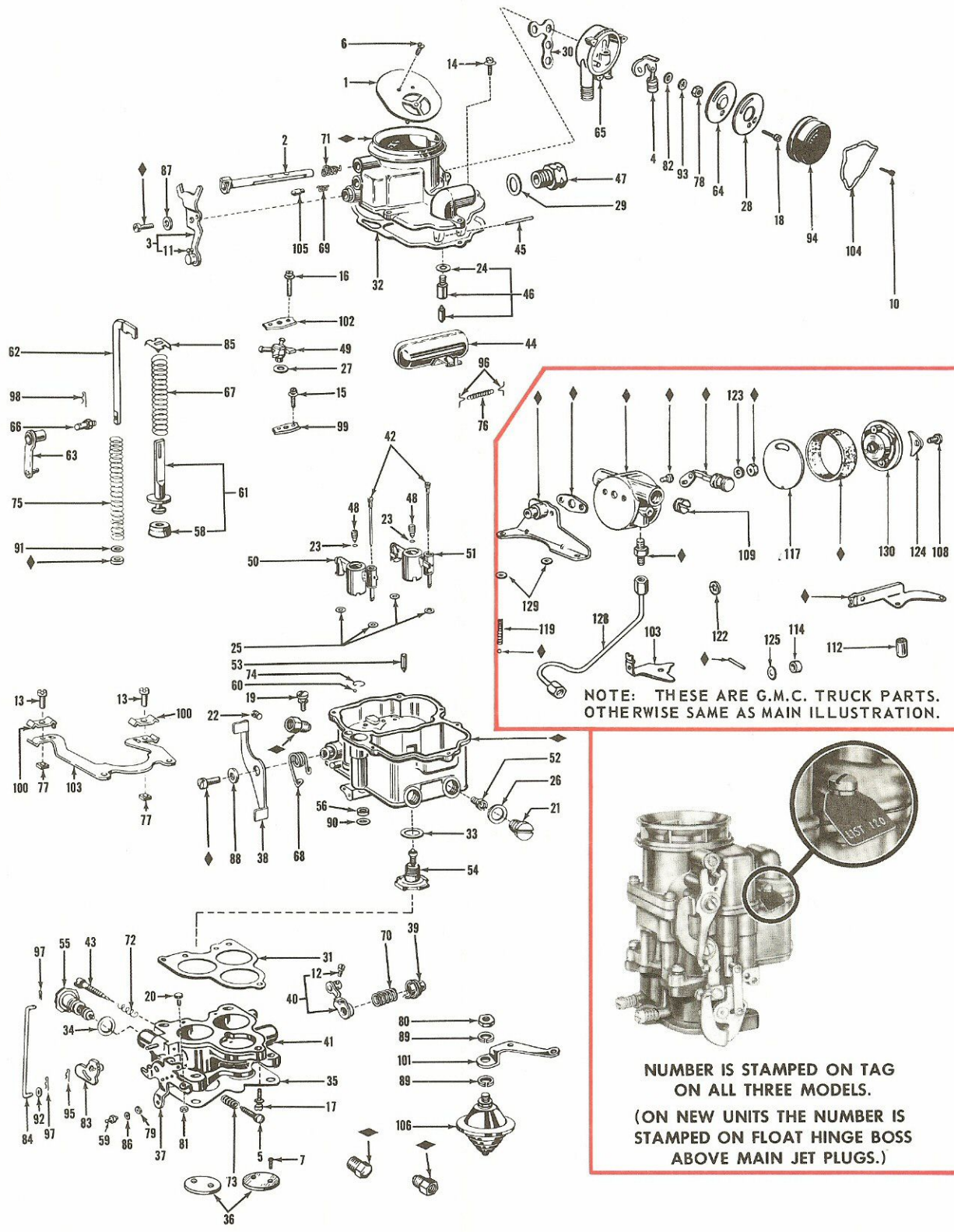
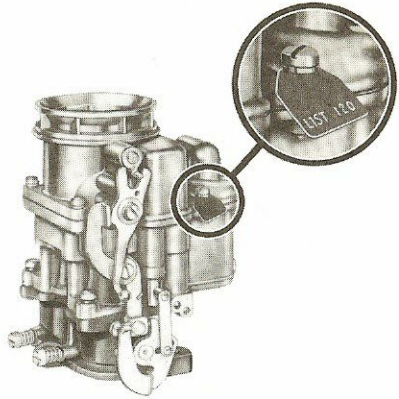


TYPICAL VIEW ILLUSTRATION NO. 9-1

MODELS AA-1,
2100 AND 2110



NOTE: THESE ARE G.M.C. TRUCK PARTS.
OTHERWISE SAME AS MAIN ILLUSTRATION.



NUMBER IS STAMPED ON TAG
ON ALL THREE MODELS.
(ON NEW UNITS THE NUMBER IS
STAMPED ON FLOAT HINGE BOSS
ABOVE MAIN JET PLUGS.)

Parts having ♦ designation are not available for service



CARBURETION

MODELS AA-1, 2100 AND 2110 PASSENGER AND TRUCK

ILLUS. NO. 9-1

Refer to Numerical Listing Section for Variable Parts

Index Number	Letter	Part Name	Part Number or Reference Section	Index Number	Letter	Part Name	Part Number or Reference Section
1	L	Choke Plate Assembly	X	63	L-M	Pump Operating Link Assembly	X
2	L	Choke Shaft & Lever Assembly	X	64	L	Choke Housing Plate	34R-548
3	L	Choke Lev. or Lev. & Swivel Assy.	X	65	L	Choke Housing Assembly	34R-1198A
4	L	Choke Therm. Lev., Link & Piston Assembly	4R-411A	66	L	Pump Rod Stud	37R-46
5	L	Throt.Stop Scr. or Adjusting Scr.	X	67	L	Accelerating Pump Spring	X
6	L-M	Choke Plate Screw	5R-4	68	L	Throttle Kicker Spring	38R-3
7	L-M	Throttle Plate Screw	5R-4	69	L	Choke Lever Plunger Spring	38R-6
10	L	Thermostat Housing Screw	5R-16	70	L	Throttle Lever Spring (Hand)	38R-9
11	L	Choke Lever Swivel Screw	5R-167	71	L	Choke Shaft Spring	X
12	L	Hand Throttle Swivel Screw	5R-167	72	L	Idle Adjusting Needle Spring	38R-108
13	L	Choke Brkt, Throt. Rod & Control Wire Clamp Screw	X	73	L	Throt-Stop or Adj. Scr. Spring	38R-110
14	L	Air Horn to Main Body Scr. & L.W.	5R-290	74	L-M	Pump Check Valve Retainer Sprg.	38R-236
15	L	Nozzle Bar Clamp Scr. & L.W.(Short)	X	75	L	Accelerating Pump Return Spring	38R-536
16	L	Nozzle Bar Clamp Scr. & L.W.(Long)	X	76	L	Float Spring	38R-51
17	L	Throttle Body Scr. & L.W.(Long)	5R-332	77	L	Choke Brkt. & Control Wire Clamp Nut	39R-1
18	L	Choke Housing Scr. & L.W.	5R-369	78	L	Choke Shaft Nut	39R-5
19	L	Throttle Body Scr. & L.W.	5R-381	79	L	Throttle Lever Ball Nut	39R-11
20	L	Dashpot Adjusting Screw	X	80	L	Dashpot Screw Nut	39R-106
21	L	Main Jet Passage Plug	7R-39	81	L	Dashpot Adjusting Screw Nut	X
22	L	Distributor Passage Plug	7R-48-1	82	L	Choke Therm. Lever Spacer	40R-108
23	G-M-P	Nozzle Bar Air Bleed Gasket	X	83	L	Fast Idle Cam Assembly	X
24	G-M-P	Fuel Inlet Valve Seat Gasket	X	84	L	Fast Idle Cam Rod	X
25	G-M-P	Nozzle Bar Gasket	X	85	L	Accelerating Pump Spring Washer	46R-1
26	G-M-P	Main Jet Passage Plug Gasket	X	86	L	Throttle Lever Ball Washer	46R-2
27	G-M-P	Pump Discharge Jet Gasket	X	87	L	Choke Lever Screw Washer	46R-6
28	G-M-P	Choke Housing Gasket	X	88	L	Throttle Kicker Washer	46R-6
29	G-M-P	Fuel Inlet Fitting Gasket	X	89	L	Dashpot Screw Lock Washer	46R-10
30	G-M-P	Thermostat Housing Gasket	X	90	G-L-M-P	Pump Operating Rod Seal Washer	46R-11
31	G-M-P	Throttle Body Gasket	X	91	L	Pump Rod Lubricator Washer	46R-11
32	G-M-P	Carburetor Body Gasket	X	92	L	Fast Idle Cam Rod Washer	46R-25
33	G-M-P	Economizer Body Gasket	X	93	L	Choke Shaft Nut L.W.	46R-248
34	G-M-P	Spark Valve Body Gasket	X	94	L	Thermostat Housing Assy. Comp.	47R-83A
35	G-L-M-P	Flange Gasket	X	95	L	Fast Idle Cam Retainer	48R-3
36	L	Throttle Plate	X	96	L	Float Spring Retainer	48R-5
37	L	Throttle Lever & Shaft Assembly	X	97	L	Fast Idle Cam Rod Retainer	48R-31
38	L	Throttle Kicker Assembly	*11R-10A	98	L-M	Pump Link Retainer	X
39	L	Throttle Lever Collar	11R-19	99	L	Nozzle Bar Clamp (Long)	49R-2
40	L	Throttle Lever (Hand)	X	100	L	Choke Brkt, Throt.Rod & Control Wire Clamp	X
41	L	Throttle Body & Shaft Assembly	X	101	L	Dashpot Bracket	49R-174
42	L-M	Idle Tube Assembly	X	102	L	Nozzle Bar Clamp (Short)	49R-191
43	L-M	Idle Adjusting Needle	X	103	L	Choke,Throt.Rod & Control Wire Bracket	X
44	L	Float & Lever Assembly	X	104	L	Thermostat Housing Clamp	49R-328
45	L-M	Float Lever Shaft	17R-24	105	L	Choke Lever Plunger	50R-2
46	L-M-P	Fuel Inlet Valve & Seat Assy.	6-15	106	L	Dashpot Assembly	11-3
47	L	Fuel Inlet Fitting	19R-146	108	L	Automatic Choke Cover Screw	5R-476
48	L	Nozzle Bar Air Bleed Plug	X	109	L	Automatic Choke Housing Plug	7R-167
49	L	Pump Discharge Nozzle Assy.	X	112	L	Pump Operating Shaft Bushing	13R-250
50	L	Nozzle Bar & Well Assy. R.H.	X	114	L	Choke Shaft Seal (Felt)	27R-1
51	L	Nozzle Bar & Well Assy. L.H.	X	117	L	Automatic Choke Housing Plate	34R-1099
52	L	Main Jet	X	119	L	Pump Discharge Val. Retainer Sprg.	38R-251
53	L-M	Pump Discharge Valve	23R-19	122	L	Pump Rod Stud L.W.	46R-248
54	L-M-P	Economizer Valve Assembly	25R-13A	123	L	Automatic Choke Shaft L.W.	46R-252
55	L-M	Spark Valve Assembly	25R-189A-65	124	L	Automatic Choke Cover Scr. Washer	46R-389
56	G-L-M-P	Pump Operating Rod Felt Seal	27R-1	125	L	Choke Shaft Seal Washer	46R-11
58	L-M-P	Accelerating Pump Piston Cup	27R-130	128	L	Automatic Choke Vacuum Tube Assy.	52R-47A
59	L	Throttle Lever Ball	28R-29	129	L	Nozzle Bar Screen	57R-26
60	L-M	Pump Check Valve	28R-94	130	L	Automatic Choke Elec. Unit Assy.	64R-62A
61	L-M-P	Accelerating Pump Piston Assy.	X				
62	L	Pump Operating Rod Assembly	X				

NOTE: "X" Symbol Indicates "Refer to Numerical Listing Section for Specific Part Required"

G = Gasket Kit; L = Loose Parts; M = Master Kit; P = Pep Kit

*Refer to the Numerical Listing for the correct Part on R-1157A & 1A, R-1158A & 1A, R-1160A & 1A, R-1284A, R-1381A & R-1382A.