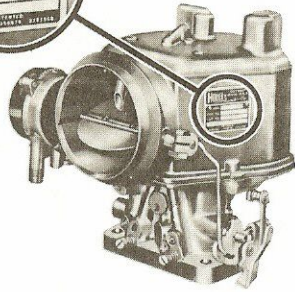
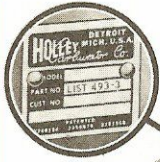
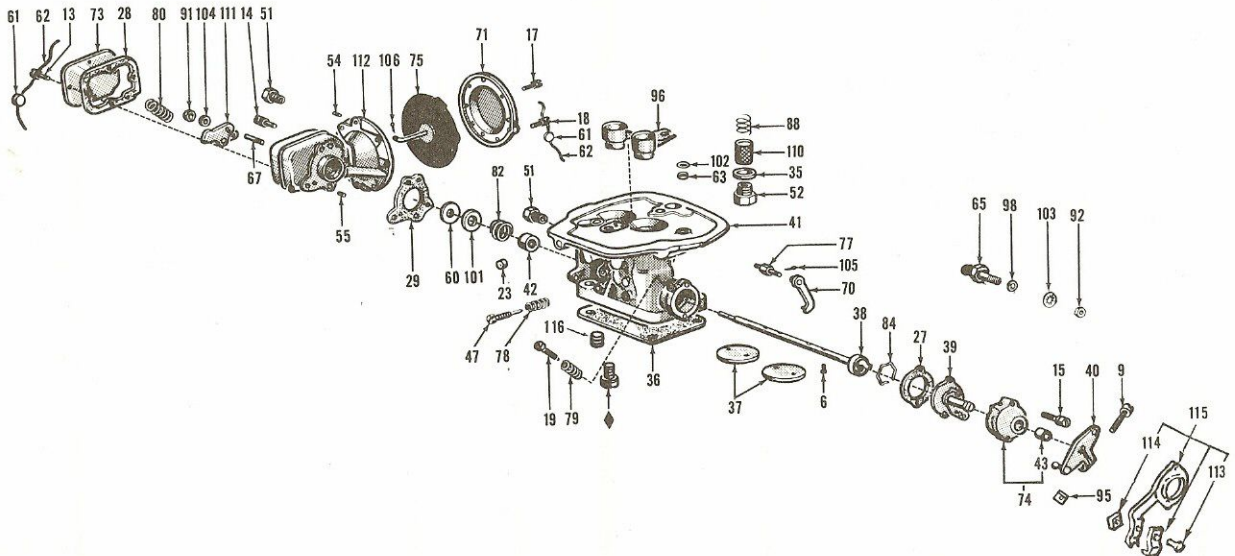
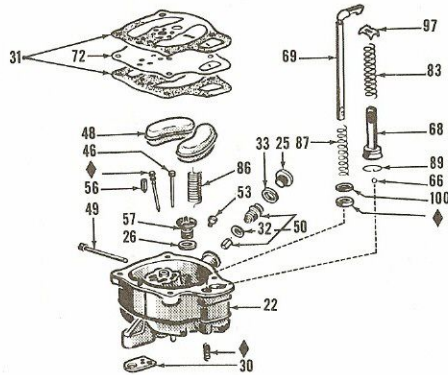
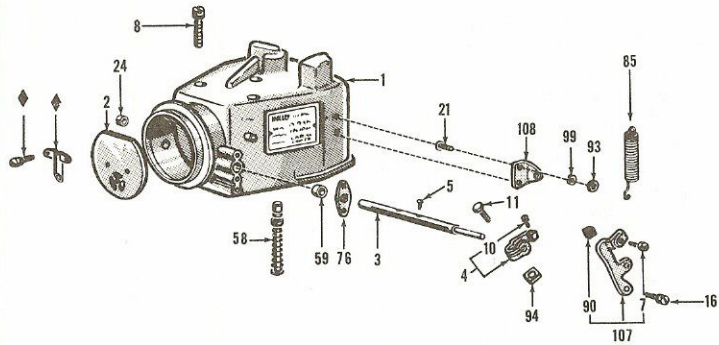


# TYPICAL VIEW ILLUSTRATION NO. 16-1



MODEL 885 — NUMBER ON PLATE,  
MOUNTED ON AIR HORN BODY.



Parts having ♦ designation are not available for service



# CARBURETION

# MODEL 885-FFG, FORD AND I.H.C.

# ILLUS. NO. 16-1

### Refer to Numerical Listing Section for Variable Parts

Index Number	Letter	Part Name	Part Number or Reference Section	Index Number	Letter	Part Name	Part Number or Reference Section
1	L	Air Horn & Plugs Assy.	X	61	G-L-M	Governor & Diaph. Cover Seal	27R-51
2	L	Choke Plate Assy.	X	62	G-L-M	Governor & Diaph. Cover Seal Wire	27R-52
3	L	Choke Shaft	X	63	G-L-M	Pump Rod Seal-Felt	X
4	L	Choke Lev. & Swivel Assy.	4R-118A	65	L	Throttle Lever Ball	28R-29
5	L-M	Choke Plate Screw	5R-4	66	L-M	Pump Check Ball	28R-94
6	L-M	Throttle Plate Screw	5R-4	67	L	Governor Spring Pin (Long)	29R-96
7	L	Choke Lev. Brkt. Clamp Scr.	X	68	L-M	Accel. Pump Piston Assy.	X
8	L	Air Horn Cover Scr. & L.W.	5R-38	69	L	Pump Operating Rod	31R-110
9	L	Throttle Lever Clamp Screw	X	70	L-M	Pump Link Assembly	X
10	L	Choke Lever Swivel Screw	5R-167	71	L	Diaphragm Cover Assy.	34R-422A
11	L	Choke Lever Clamp Screw	5R-223	72	L	Bowl Cover Plate	X
13	L	Governor Gov. Scr. & L.W. (Drilled)	5R-366	73	L	Governor Cover	34R-565
14	L	Governor to Throt. Body Scr. & L.W.	X	74	L	Throt. Oper. Shaft Housing Assy.	X
15	L	Bearing Housing Scr. & L.W.	5R-368	75	L-M	Diaphragm & Rod Assy.	35R-15A
16	L	Choke Lev. Brkt. Scr. & L.W.	5R-369	76	L	Choke Shaft Felt Seal Retainer	36R-141
17	L	Diaph. Cover Scr. & L.W.	5R-371	77	L	Pump Oper. Rod Stud	X
18	L	Diaph. Cover Scr. & L.W. (Drilled)	5R-371	78	L	Idle Adj. Needle Spring	38R-108
19	L	Throttle Stop Screw	5R-372	79	L	Throttle Stop Scr. Spring	38R-110
21	L	Throttle Spring Bracket Scr.	5R-486	80	L-M	Governor Spring	X
22	L	Main Body Assembly	X	82	L	Throttle Shaft Retainer Spring	38R-212
23	L	Passage Plug	7R-17	83	L	Accelerating Pump Spring	X
24	L	Choke Shaft Plug	7R-84	84	L	Throt. Shaft Bearing Retainer Spr.	38R-271
25	L	Fuel Valve Seat Plug	7R-113	85	L-M	Throttle Return Spring	38R-326
26	G-M	Power Jet Valve Gasket	X	86	L-M	Float Spring	38R-332
27	G-M	Throttle Bearing Cover Gasket	X	87	L	Accelerating Pump Return Spring	38R-339
28	G-M	Governor Cover Gasket	X	88	L	Filter Screen Retainer Spring	38R-342
29	G-M	Governor to Throt. Body Gasket	X	89	L-M	Pump Check Ball Retainer Spring	X
30	G-M	Main Body to Throt. Body Gasket	X	90	L	Choke Lever Brkt. Clamp Scr. Nut	39R-1
31	G-M	Bowl Cover Plate Gasket	X	91	L	Governor Lever Nut	39R-5
32	G-M	Fuel Inlet Valve Seat Gasket	X	92	L	Throttle Lever Ball Nut	39R-11
33	G-M	Fuel Valve Seat Plug Gasket	X	93	L	Throttle Spr. Bracket Scr. Nut	39R-11
34	G-M	Air Horn to Throt. Body Gasket	X	94	L	Choke Lever Clamp Screw Nut	39R-171
35	G-M	Fuel Inlet Fitting Gasket	X	95	L	Throttle Lever Screw Nut	39R-171
36	G-L-M	Flange Gasket	X	96	L	Secondary Venturi	X
37	L	Throttle Plate	9R-46	97	L	Accelerating Pump Spr. Washer	46R-1
38	L	Throt. Shaft & Bearing Assy.	10R-291A	98	L	Throttle Lever Ball L.W.	46R-2
39	L	Throt. Operating Shaft Assy.	X	99	L	Throttle Spr. Bracket Scr. L.W.	46R-2
40	L	Throttle Lever Assembly	X	100	G-L-M	Pump Oper. Rod Lub. Ring Washer	46R-11
41	L	Throttle Body & Shaft Assy.	X	101	L	Throttle Shaft Seal Retainer	46R-89
42	L	Throttle Shaft Bearing	13R-68	102	L	Pump Rod Seal Washer	X
43	L	Throt. Oper. Shaft Housing Bushing	13R-214	103	L	Throttle Lever Ball Nut L.W.	46R-252
46	L-M	Main Well Tube Assembly	X	104	L	Governor Lever Nut L.W.	46R-285
47	L-M	Idle Adjusting Needle	15R-20	105	L-M	Pump Link Assy. Retainer or Cotter Pin	X
48	L	Float & Hinge Assembly	16R-246A				
49	L-M	Float Shaft	17R-21	106	L-M	Diaph. Rod Assy. Cotter Pin	48R-183
50	L-M	Fuel Inlet Valve & Seat Assy.	X	107	L	Choke Lever Bracket Assy.	49R-137A
51	L	Governor Line Fitting	X	108	L	Throttle Return Spr. Bracket	49R-252
52	L	Fuel Inlet Fitting	X	109	L-M	Air Bleed Screen	57R-18
53	L	Main Jet	X	110	L-M	Filter Screen & Retainer Assy.	57R-19A
54	L	Governor By-Pass Jet	22R-53-28	111	L	Governor Lever Assy.	63R-105A
55	L	Governor By-Pass Jet	X	112	L	Governor Housing & Plugs Assy.	X
56	L-M	Pump Discharge Valve	X	113	L	Hand Throt. Control Brkt. Clamp Scr.	5R-641
57	L-M	Power Jet Valve Assembly	X	114	L	Hand Throt. Control Clamp Nut	39R-1
58	L-M	Economizer Piston & Stem Assy.	X	115	L	Hand Throt. Control Brkt. Assy.	49R-199A
59	G-L-M	Choke Shaft Seal-Felt	27R-1	116	L	Distributor Passage Plug	7R-48-5
60	G-L-M	Governor & Throt. Shaft Seal	27R-31				

NOTE: "X" Symbol Indicates "Refer to Numerical Listing Section for Specific Parts Required"

G = Gasket Kit; L = Loose Parts; M = Master Kit; P = Pep Kit