

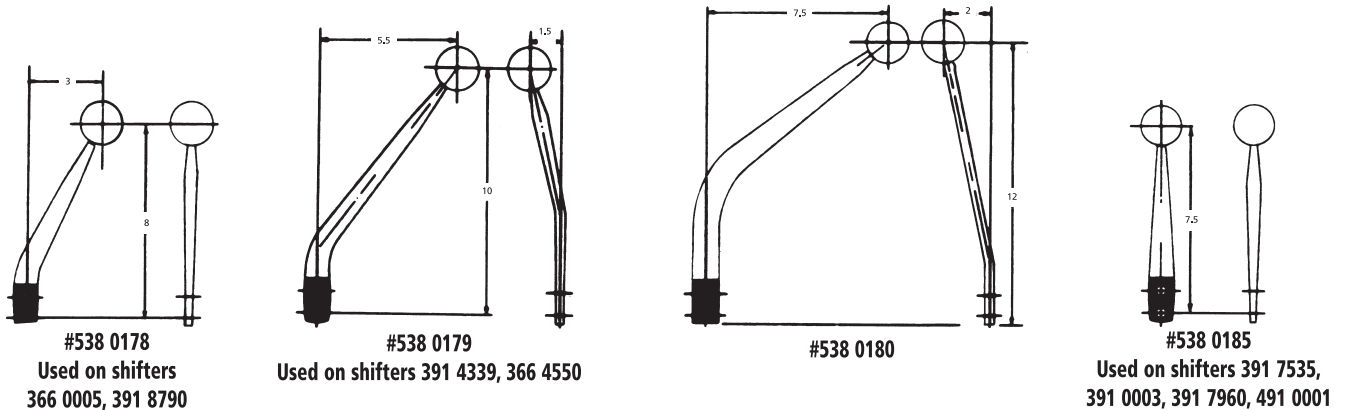
# SHIFTER STICKS



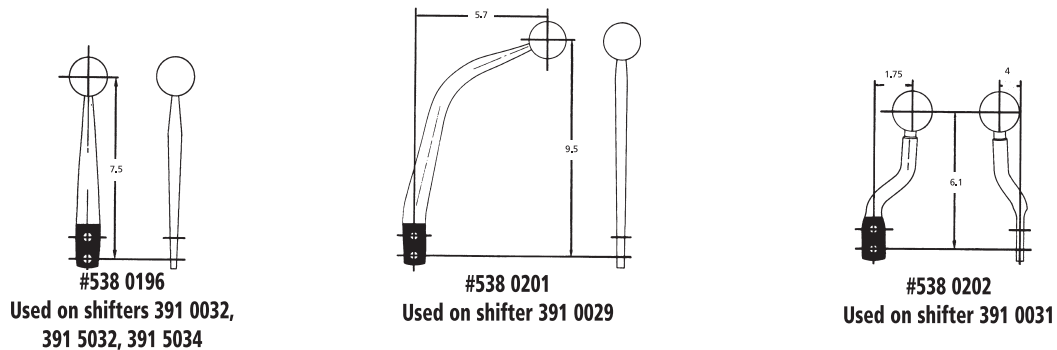
## LIGHT WEIGHT ALUMINUM STICKS

Hurst aluminum shifter sticks are more resilient than steel in competition use, and are one-third lighter. 2024 aluminum heat treated to T-6. Ultimate tensile strength 68,000 psi. All aluminum sticks incorporate a 7/16 - 20 thread size and 7/8" center to center bolt spacing with 3/8" ID hole size.

### NATURAL ALUMINUM FINISH



### BLACK ANODIZED ALUMINUM FINISH



## STEEL STICKS

Hurst steel sticks are constructed from a high strength steel and manufactured with Hurst quality.

### BLACK STEEL STICKS

