

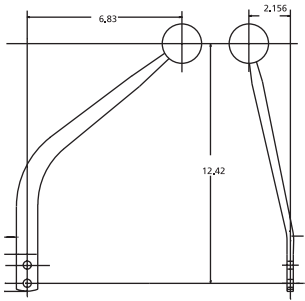


SHIFTER STICKS

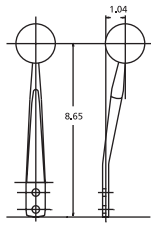
STEEL STICKS

CHROME-PLATED STEEL STICKS

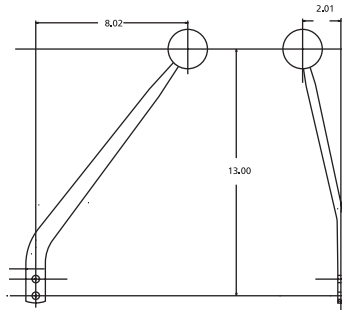
Hurst "bolt-on" shifter sticks are ideal for use in custom applications where a particular height or offset is required. These shifter sticks are constructed from high strength steel and are stamped with the Hurst name. All sticks incorporate a 3/8-16 thread size for use with many popular Hurst T-handles and shifter knobs. Bolt hole size is 3/8" I.D. with 7/8" center-to-center spacing.



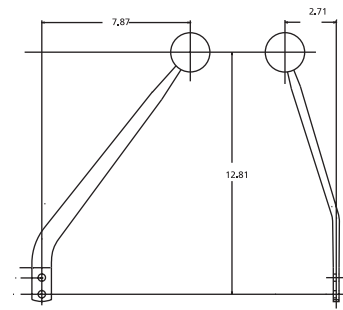
#238 0090
fits shifters 391 5040, 391 0033



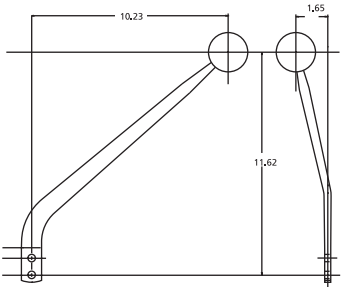
#238 0131
fits shifter 391 0028



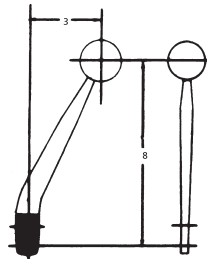
#238 0290
fits shifter 391 0110



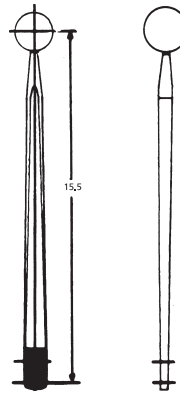
#238 0291
fits shifter 391 0120, 391 0121



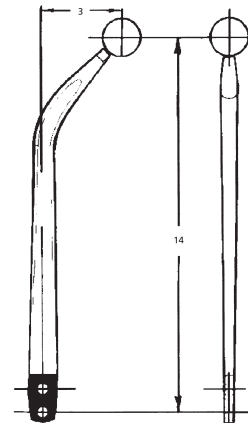
#238 0292
fits shifters 391 5050,
391 0111, 391 0155



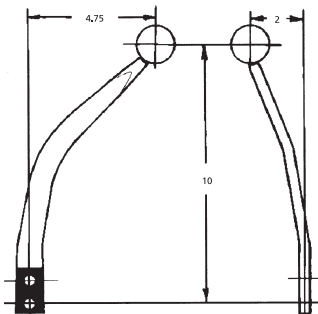
#538 0015
Used on shifters
391 8790, 366 0005



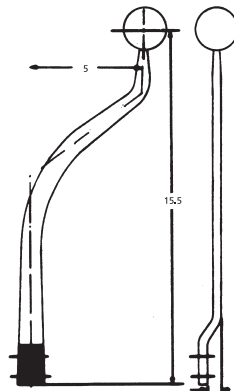
#538 0060
Used on shifter 366 0010



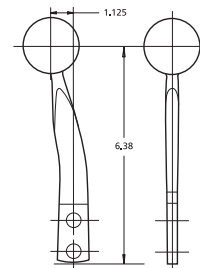
#238 0085
Used on shifter 391 0024



#538 0100
Used on shifter 407 0009



#538 4077



#238 7201